

MONTEREY REGIONAL WATER
POLLUTION CONTROL AGENCY
Monterey County, California

EXHIBIT B -
EXISTING DRAINAGE
SYSTEM

CONTRACT DOCUMENTS FOR THE CONSTRUCTION OF

**MARINA COUNTY WATER DISTRICT
CONNECTION FACILITIES**

VOLUME 3 OF 3

PART C - DRAWINGS

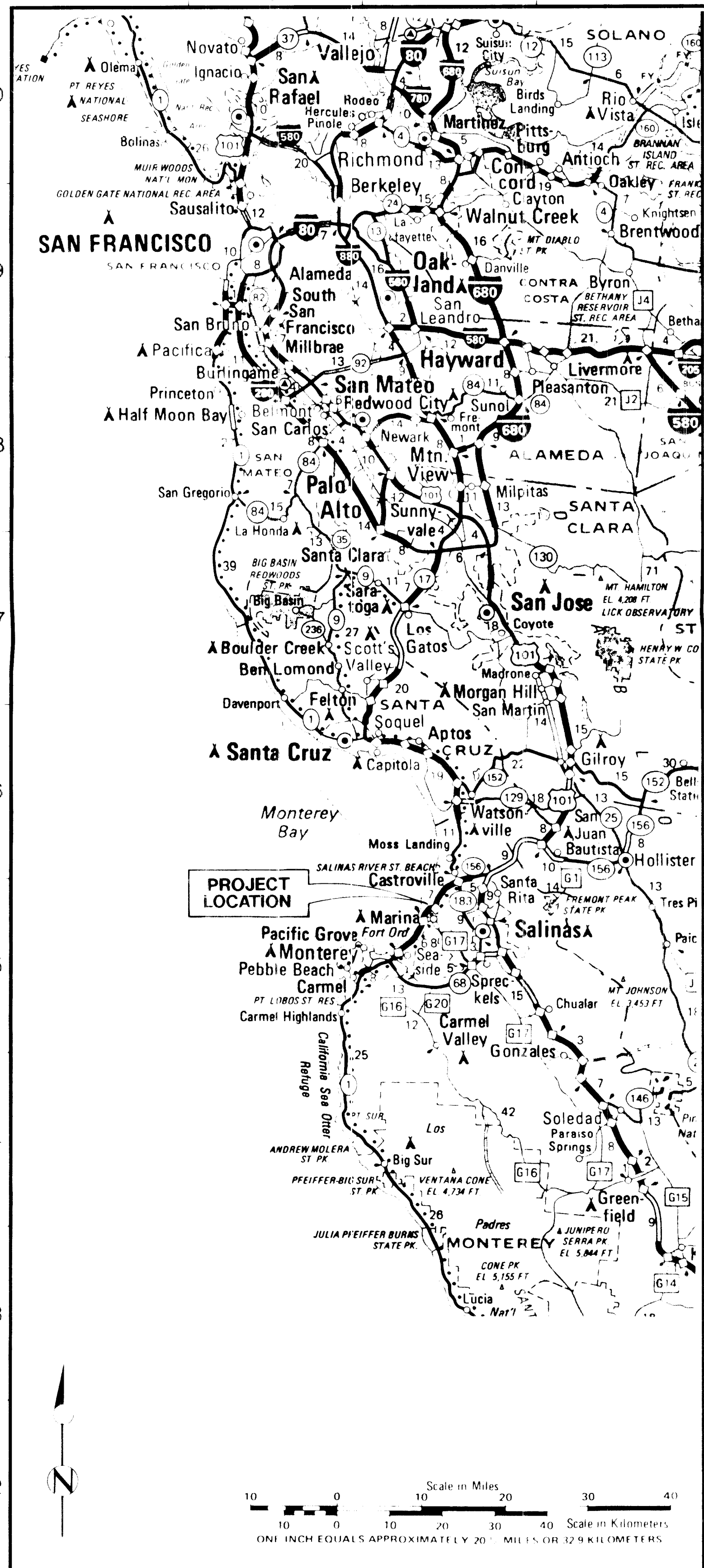
GENERAL-ARCHITECTURAL-STRUCTURAL-PIPING, PROCESS AND
INSTRUMENTATION DIAGRAM-MECHANICAL-ELECTRICAL

January 1992

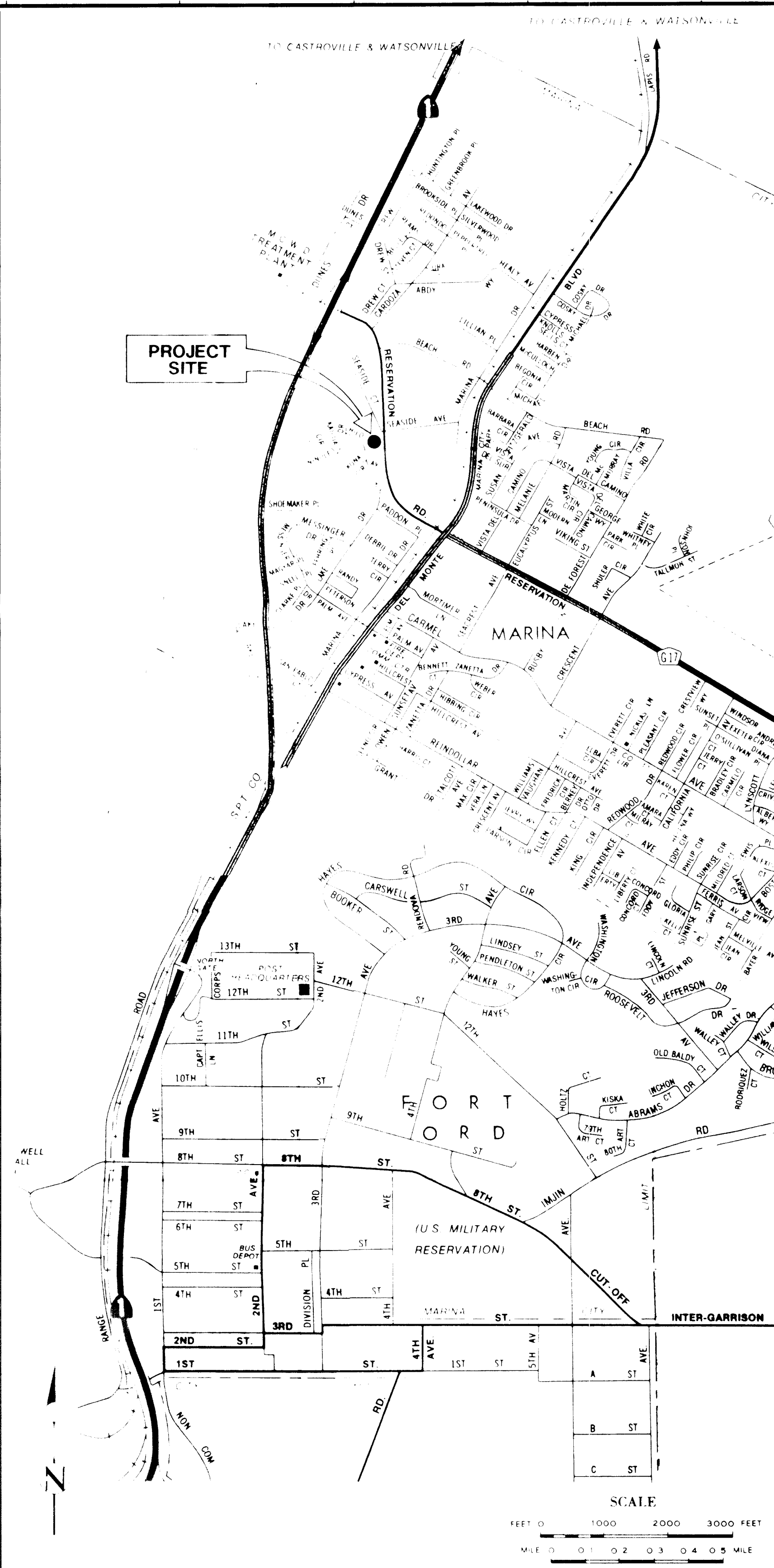


Brown and Caldwell

Copy No.



VICINITY MAP



LOCATION MAP

PART C - INDEX OF DRAWINGS

SHEET NUMBER	DRAWING NUMBER	TITLE	SHEET NUMBER	DRAWING NUMBER	TITLE
GENERAL					
COVER SHEET					
1	G1	VICINITY MAP, LOCATION MAP, AND INDEX OF DRAWINGS	36	M1	STANDARD PIPE HANGERS
2	G2	STANDARD ABBREVIATIONS	37	M2	STANDARD STRUCTURAL PIPE ATTACHMENTS
3	G3	STANDARD SYMBOLS AND DRAWING CONVENTIONS	38	M3	PIPE PENETRATIONS AND MISCELLANEOUS DETAILS
4	G4	PLAN AND PROFILE 1	39	M4	MISCELLANEOUS DETAILS
5	G5	PLAN AND PROFILE 2	40	M5	HVAC DESIGNATIONS, DIFFUSER SCHEDULE, AND VENTILATION EQUIPMENT DETAILS
6	G6	MISCELLANEOUS DETAILS 1	RESERVATION ROAD PUMPING STATION		
7	G7	MISCELLANEOUS DETAILS 2	41	M101	LOWER FLOOR PIPING PLAN
8	G8	MISCELLANEOUS DETAILS 3	42	M102	GROUND FLOOR PLAN
9	G101	SITE PLAN	43	M103	LOWER FLOOR HVAC PLAN
10	G102	LANDSCAPE PLANTING PLAN	44	M104	SECTION
11	G103	LANDSCAPE IRRIGATION PLAN	45	M105	SECTIONS 1
12	G104	LANDSCAPE AND IRRIGATION DETAILS 1	46	M106	SECTIONS 2
13	G105	LANDSCAPE AND IRRIGATION DETAILS 2	47	M107	FUEL STORAGE TANK SECTIONS AND DETAILS
ARCHITECTURAL					
RESERVATION ROAD PUMPING STATION					
14	A101	LOWER FLOOR PLAN	48	M110	AIRFLOW SCHEMATIC
15	A102	GROUND FLOOR PLAN AND DOOR SCHEDULE	ELECTRICAL		
16	A103	EXTERIOR ELEVATIONS	49	E1	ELECTRICAL SYMBOLS AND ABBREVIATIONS
17	A104	ROOF PLAN AND SECTION	50	E2	ELECTRICAL SYMBOLS
18	A105	MISCELLANEOUS DETAILS	51	E3	CONSTRUCTION DETAILS 1
STRUCTURAL					
19	S1	GENERAL STRUCTURAL NOTES	52	E4	CONSTRUCTION DETAILS 2
20	S2	TYPICAL CONCRETE DETAILS	53	E5	CONSTRUCTION DETAILS 3
21	S3	TYPICAL METALWORK DETAILS	54	E6	CONSTRUCTION DETAILS 4
22	S4	MISCELLANEOUS DETAILS	55	E7	INSTRUMENT PANEL 601 AND TELEMETRY PANEL 603
RESERVATION ROAD PUMPING STATION					
23	S101	FOUNDATION PLAN AND SECTIONS	56	E10	SINGLE LINE DIAGRAM
24	S102	GROUND FLOOR PLAN AND SECTIONS	57	E20	CONTROL DIAGRAMS 1
25	S103	ROOF FRAMING PLANS, SECTIONS, AND DETAILS	58	E21	CONTROL DIAGRAMS 2
26	S104	SECTIONS AND DETAILS 1	59	E22	CONTROL DIAGRAMS 3
27	S105	SECTIONS AND DETAILS 2	60	E23	CONTROL DIAGRAMS 4
28	S106	SECTIONS	61	E24	CONTROL DIAGRAMS 5
29	S107	SECTIONS AND DETAILS	62	E25	CONTROL DIAGRAMS 6
PIPING, PROCESS, AND INSTRUMENTATION DIAGRAMS					
30	P1	PIPING AND MECHANICAL SYMBOLS	63	E100	SITE PLAN
31	P2	INSTRUMENTATION SYMBOLS AND IDENTIFICATION SYSTEM	RESERVATION ROAD PUMPING STATION		
32	P11	PRIMARY PUMPING 1	64	E101	LOWER FLOOR PLANS POWER, CONTROL, AND SIGNAL
33	P12	PRIMARY PUMPING 2	65	E102	GROUND FLOOR POWER, CONTROL, AND SIGNAL PLAN
34	P13	UTILITY WATER SYSTEM	66	E103	GROUNDING PLANS
35	P14	DRAINAGE AND STANDBY GENERATOR SYSTEMS	67	E104	LOWER FLOOR LIGHTING PLAN
			68	E105	GROUND FLOOR LIGHTING PLAN
			69	E106	PART PLANS ELECTRICAL ROOM POWER, CONTROL, AND SIGNAL PLANS

BC Brown and Caldwell Consultants

DATE: 1-14-92

DATE: 1-14-92

DATE:

LINE IS 2 INCHES AT FULL SIZE

FILE: 5478

DRAWN: MCHAVES

DESIGNED: IMK/MBC

CHECKED:

CHECKED:

REGISTERED PROFESSIONAL ENGINEER

No. 13360

CIVIL

STATE OF CALIFORNIA

REGISTERED PROFESSIONAL ENGINEER

No. 27991

CIVIL

STATE OF CALIFORNIA

ZONE REV.	REVISIONS DESCRIPTION	BY	DATE	APP.

MCWD CONNECTION FACILITIES

MONTEREY REGIONAL WATER POLLUTION CONTROL AGENCY

MONTEREY COUNTY, CALIFORNIA

GENERAL

VICINITY MAP, LOCATION MAP AND INDEX OF DRAWINGS

SCALE

DRAWING NUMBER

G1

SHEET NUMBER

	3 WAY VALVE
	GATE VALVE
	GLOBE VALVE
	PLUG VALVE
	BALL VALVE
	BUTTERFLY VALVE
	CHECK VALVE
	DOUBLE LEAF CHECK VALVE
	BALL CHECK VALVE
	SOLENOID VALVE
	PRESSURE REDUCING REGULATOR (SELF-CONTAINED)
	BACK PRESSURE REGULATOR (SELF-CONTAINED)
	PRESSURE REDUCING VALVE
	BACK PRESSURE REDUCING VALVE
	MOTOR OPERATED VALVE (FOR VALVE TYPE SEE SPECS)
	PNEUMATIC OPERATED VALVE (FOR VALVE TYPE SEE SPECS)
	DIAPHRAGM WEIR VALVE (SAUNDERS TYPE)
	PINCH VALVE
	NEEDLE VALVE
	ANGLE VALVE
	PRESSURE RELIEF VALVE
	VACUUM RELIEF VALVE
	PRESSURE AND VACUUM RELIEF VALVE
	SLUICE GATE
	SLIDE GATE
	KNIFE GATE VALVE
	VALVE ON RISER
	BALANCING COCK
	CIRCUIT SETTER
	THERMOSTATICALLY CONTROLLED VALVE
	MANUAL AIR VENT
	AUTOMATIC AIR VENT

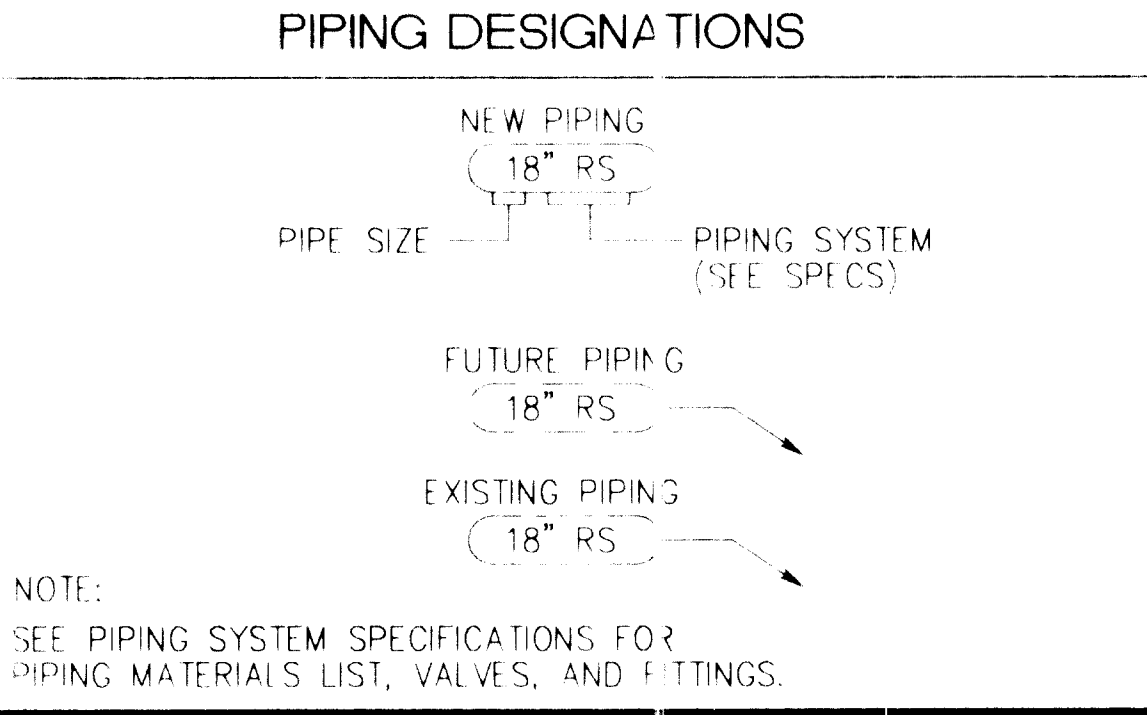
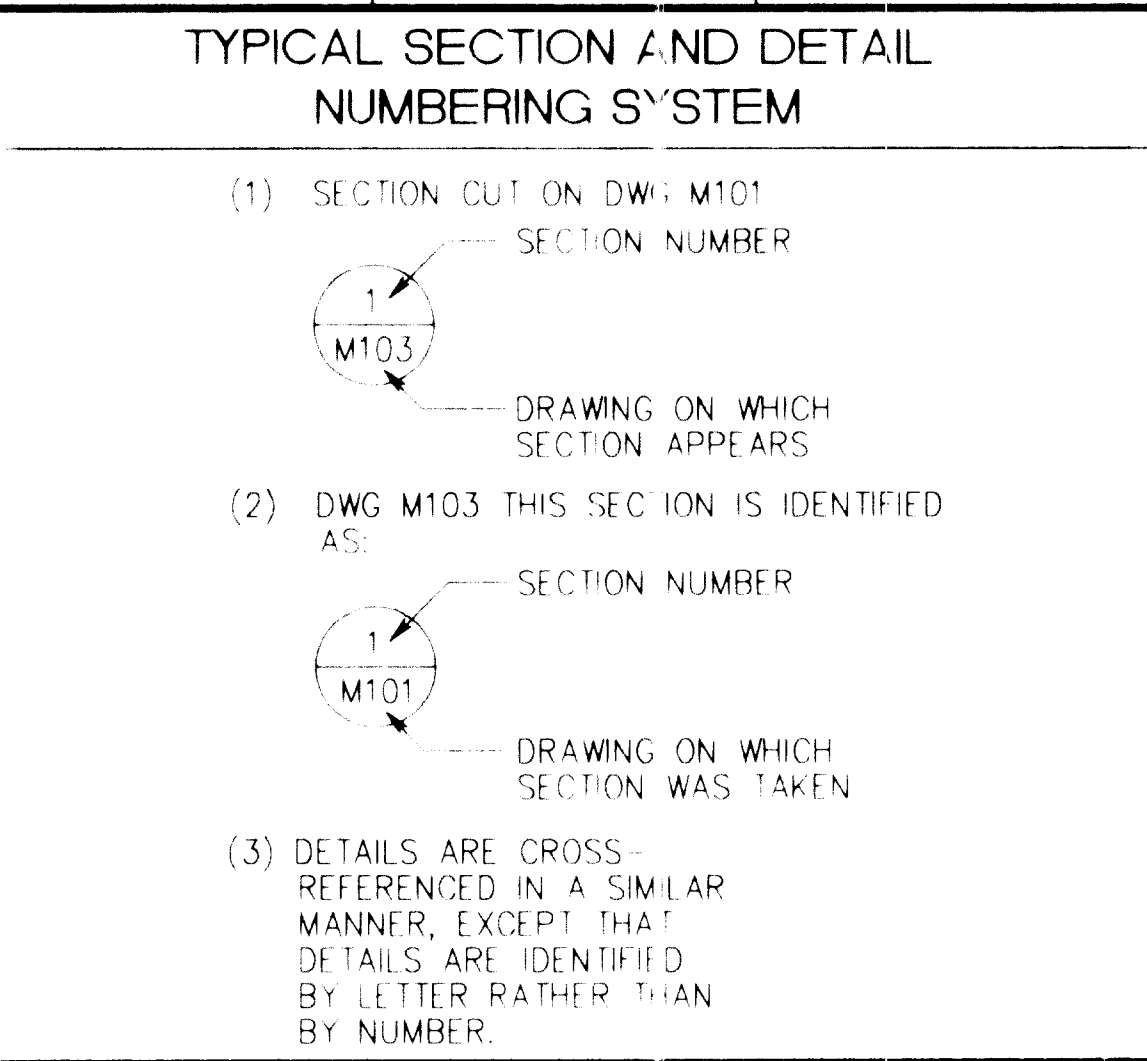
	STRAINER
	PIPELINE FLUSHING/SAMPLING COCK CONNECTION
	QUICK CONNECTOR
	CAP OR PLUG
	BLIND FLANGE
	REDUCER OR INCREASER
	FLEXIBLE METAL HOSE (SINGLE LINE PIPE)
	FLEXIBLE METAL HOSE (DOUBLE LINE PIPE)
	FLEXIBLE BRAIDED RUBBER HOSE (SINGLE OR DOUBLE LINE PIPE)
	MECHANICAL PIPE COUPLING
	FLEXIBLE PIPE COUPLING (FPC)
	FLEXIBLE COUPLING
	EXPANSION JOINT
	EXPANSION JOINT
	REDUCING OR INCREASING EXPANSION JOINT
	ORIFICE METER
	UNION
	AMMONIA UNION
	RESTRAINED EXPANSION JOINT
	PIPE ANCHOR
	CALIBRATION CHAMBER
	SIGHT GLASS
	PULSATION DAMPER
	PRESSURE INDICATOR
	RUPTURE DISK (VACUUM RELIEF)
	RUPTURE DISK (PRESSURE RELIEF)
	CHEMICAL SEAL
	PRESSURE SENSOR
	PRESSURE REDUCING ASSEMBLY

	ROTAMETER
	HOSE RACK
	CATCH BASIN
	PERMANENT BENCH MARK ON SURVEY MONUMENT
	SOIL BORING AND DESIGNATION
	UTILITY STATION
	FIRE EXTINGUISHER
	FIRE HYDRANT
	BURIED VALVE
	MANHOLE
	UTILITY BOX
	HOISTING HOOK
	DOOR NUMBER
	ROOM NUMBER
	EQUIPMENT DESIGNATION (SEE THIS DWG)
	PIPING DESIGNATION (SEE THIS DWG)
	RAILROAD (SINGLE TRACK)
	RAILROAD (DOUBLE TRACK)
	CONNECTING LINES
	NON-CONNECTING LINES
	PROPERTY LINE
	MATCH LINE
	CENTER LINE
	SECTION OUTLINE, BOUNDARY OR FUTURE EQUIPMENT AND MATERIALS
	NEW PIPING
	EXISTING PIPING, EQUIPMENT OR STRUCTURES
	EXISTING PIPING TO BE REMOVED OR ABANDONED UNDER THIS CONTRACT. ABANDONED WHEN NOT IN CONFLICT WITH NEW CONSTRUCTION WORK
	FENCE
	HANDRAIL
	CONCRETE CURB AND GUTTER
	CONCRETE MOWING STRIP
	RETAINING WALL

	A.C. PAVEMENT (EL.)
	NATURAL GROUND OR GRADE
	ROCK
	SWALE OR DITCH
	EMBANKMENT
	EXPANSION JOINT CONCRETE PAVEMENT
	DUMMY CONSTRUCTION JOINT CONCRETE PAVEMENT
	PIPING SLOPE (.01 FT. VERTICAL TO 1 FT. HORIZONTAL)
	NEW GRADE CONTOURS
	EXISTING GRADE CONTOURS (SCREENED EXISTING)
	JOINT FILLER
	PLASTIC LINING
	EXIST EQUIPMENT OR MATERIALS TO BE REMOVED UNDER THIS CONTRACT
	TO BE BUILT FOR FUTURE REMOVAL
	REINFORCEMENT IN SECTION
	REINFORCEMENT PLAN OR ELEVATION
	ASPHALTIC CONCRETE
	AGGREGATE BASE
	CONCRETE
	EXISTING CONCRETE
	PRECAST CONCRETE
	MORTAR, GROUT OR PLASTER
	CONCRETE BLOCK
	BRICK OR CAST IRON
	TERRAZZO OR ARTIFICIAL STONE
	TILE
	GRATING SPAN

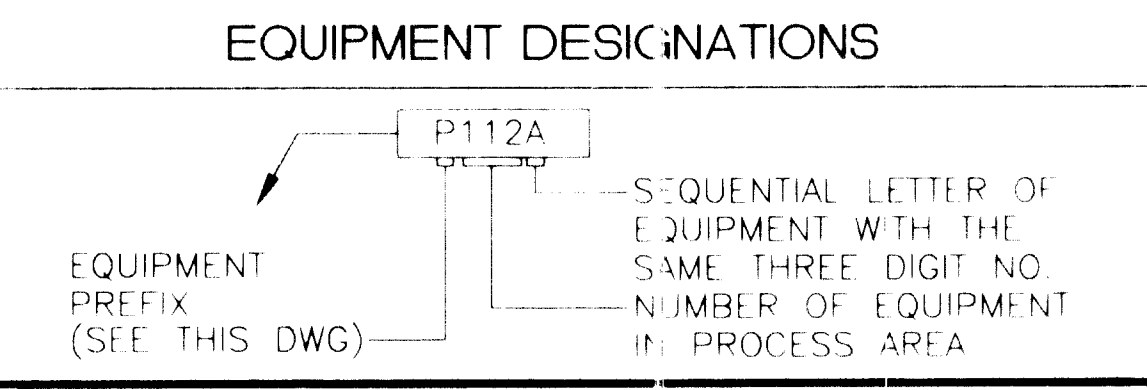
	CHECKER PLATE
	STEEL OR STAINLESS STEEL
	ALUMINUM
	RIGID INSULATION
	NEOPRENE
	OPENING OF DEPRESSION IN SLAB OR WALL
	OPENING WITH GRATING COVER
	OPENING WITH CHECKER PLATE COVER
	WOOD
	CORROSION TEST STATION
	INSULATION JOINT WITH TEST STATION
	ANODE WITH TEST STATION
	ANODE WITHOUT TEST STATION
	AT
	AMPERE
	ROUND OR DIAMETER
	ANGLE
	SPOT ELEVATION
	CENTER LINE
	PLATE OR PROPERTY LINE
	WITH
	WITHOUT

NOTES:
 1. FOR ADDITIONAL SYMBOLS SEE DRAWINGS G102, P1, E1 AND E2.
 2. SYMBOLS ARE FOR REFERENCE ONLY. NOT ALL SYMBOLS ARE USED IN THESE CONTRACT DRAWINGS.



PIPING SYSTEM

D	DRAIN
EE	ENGINE EXHAUST
FOR	FUEL OIL RETURN
FOS	FUEL OIL SUPPLY
FOV	FUEL OIL VENT
HW	HOT WATER
IA	INSTRUMENT AIR
PD	PUMPED DRAINAGE
RS	RAW SEWAGE
RWP	RAINWATER PIPE
STD	STORM DRAIN
V	VENT
1W	PROTECTED WATER
2W	UNPROTECTED WATER
2WL	LANDSCAPE IRRIGATION



EQUIPMENT PREFIXES

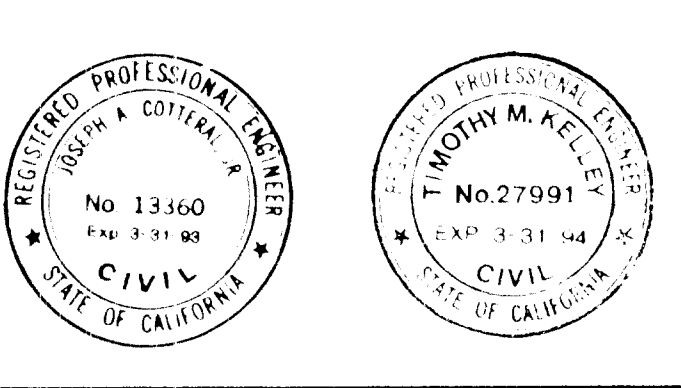
ASC	ADJUSTABLE SPEED CONTROL
BP	BACKFLOW PREVENTER
BSN	BAR SCREEN
F	FAN
FE	FLOW ELEMENT
G	SLIDE GATE
LCV	LEVEL CONTROL VALVE
M	MOTOR
P	PUMP
PCV	PRESSURE CONTROL VALVE
PRV	PRESSURE RELIEF VALVE
PVI	PRESSURE VESSEL
SG	SLUICE GATE
SV	SOLENOID VALVE
T	TANK

BC Brown and Caldwell Consultants

SUBMITTED: *Timothy M. Kelley* DATE: 1-14-92
 APPROVED: *Project Manager* DATE: 1-14-92
 APPROVED: *Project Manager* DATE: 1-14-92

LINE IS 2 INCHES AT FULL SIZE (IF NOT 2"=SCALE ACCORDINGLY)

FILE	
DRAWN	
DESIGNED	
CHECKED	
CHECKED	



REVISIONS					
ZONE	REV.	DESCRIPTION	BY	DATE	APP.

MCWD CONNECTION FACILITIES

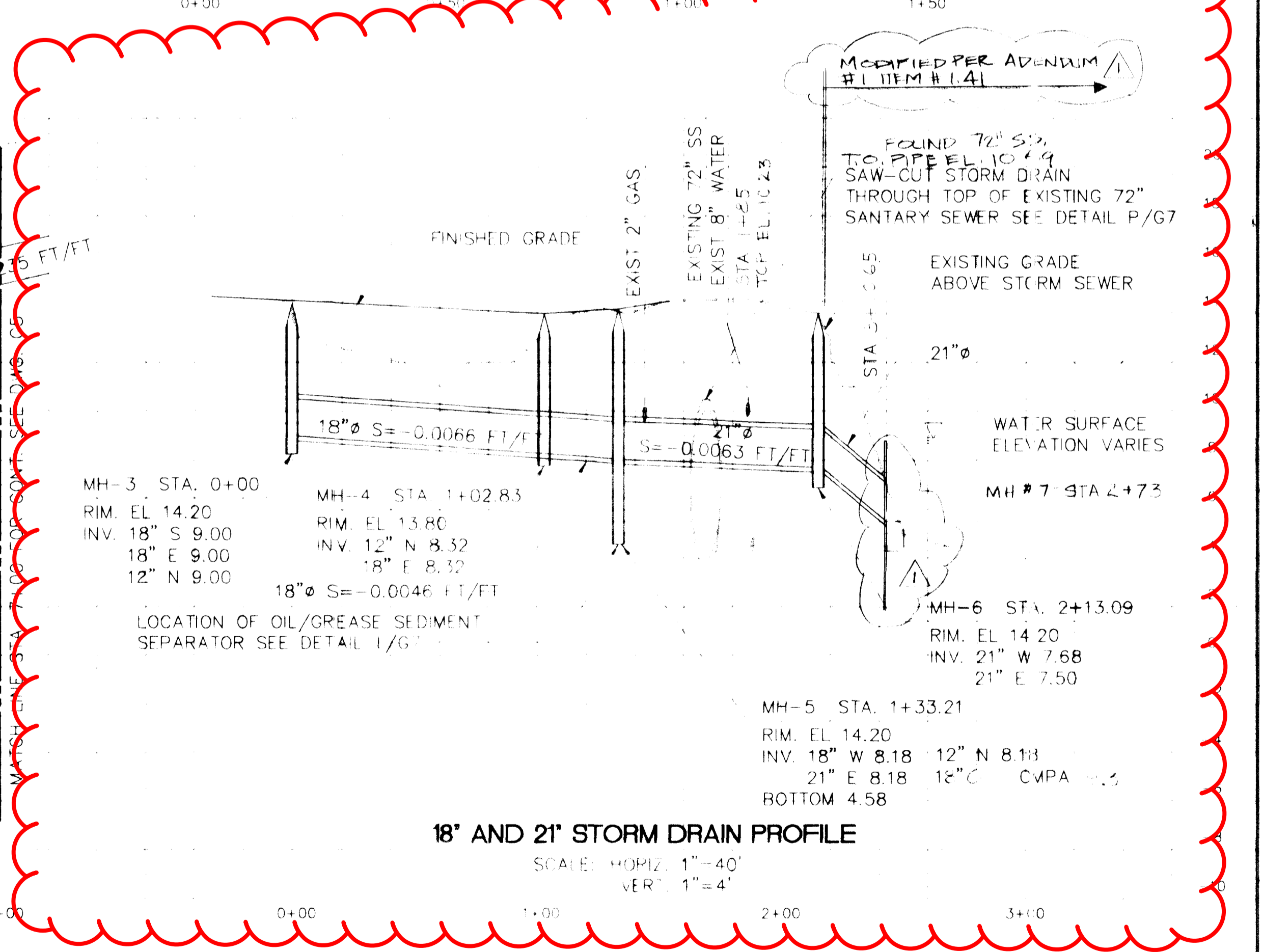
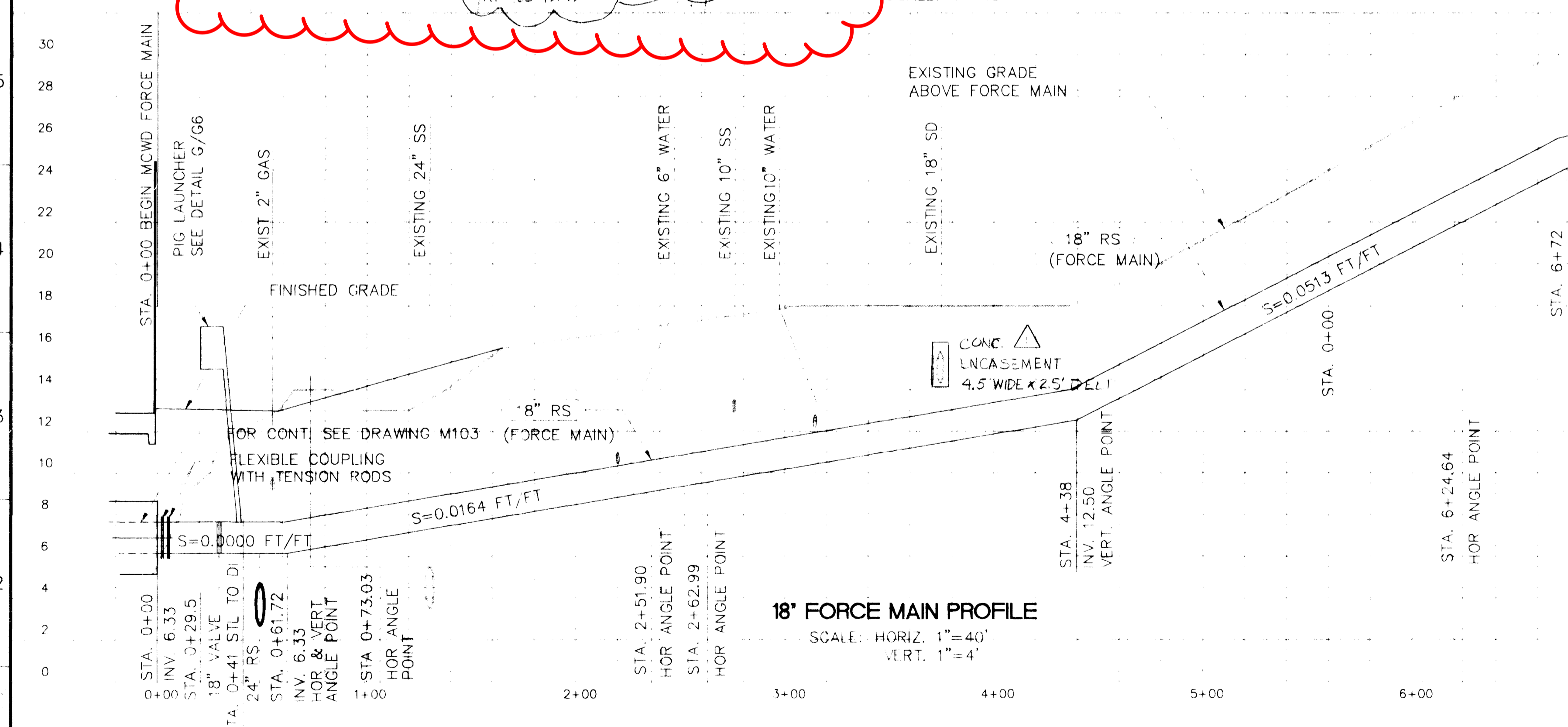
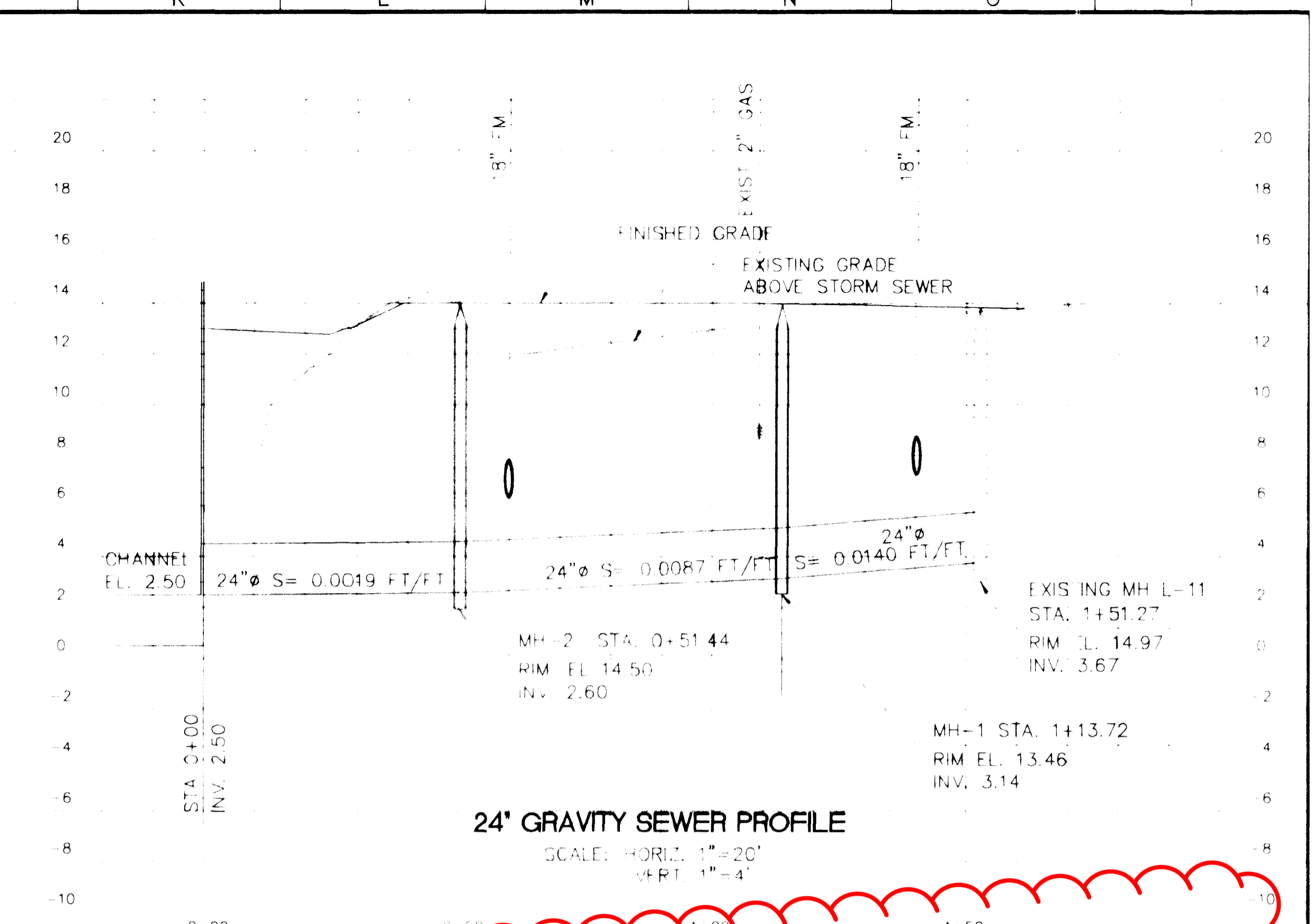
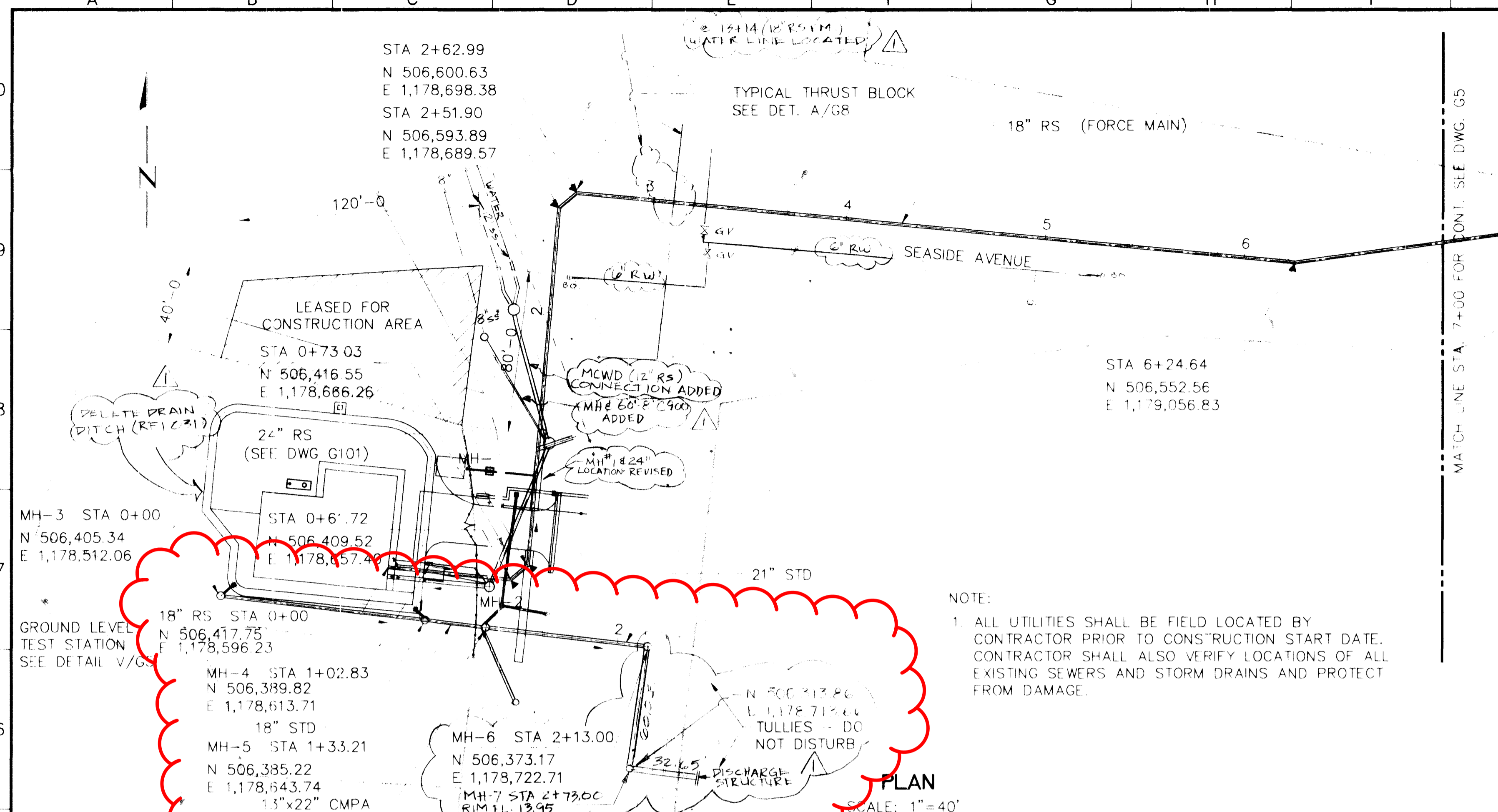
MONTEREY REGIONAL WATER POLLUTION CONTROL AGENCY
MONTEREY COUNTY, CALIFORNIA

SCALE

DRAWING NUMBER **G3**

SHEET NUMBER

STANDARD SYMBOLS AND DRAWING CONVENTIONS



Brown and Caldwell
 Consultants

SUBMITTED: [Signature] DATE: 1-14-92
 APPROVED: [Signature] DATE: 1-14-92
 APPROVED: [Signature] DATE:

LINE IS 2 INCHES AT FULL SIZE (IF NOT 2" SCALE ACCORDINGLY)

FILE: _____
 DRAWN: _____
 DESIGNED: _____
 CHECKED: _____
 CHECKED: _____

REGISTERED PROFESSIONAL ENGINEER
 JOSEPH A. COTTRELL
 No. 13360
 Exp. 3-31-93
 CIVIL
 STATE OF CALIFORNIA

TIMOTHY A. [Signature]
 No. 27791
 Exp. 3-31-93
 CIVIL
 STATE OF CALIFORNIA

REVISIONS					
ZONE	REV	DESCRIPTION	BY	DATE	APP
	1	ADD FIT & CORRECTIONS	KT		

MCWD CONNECTION FACILITIES

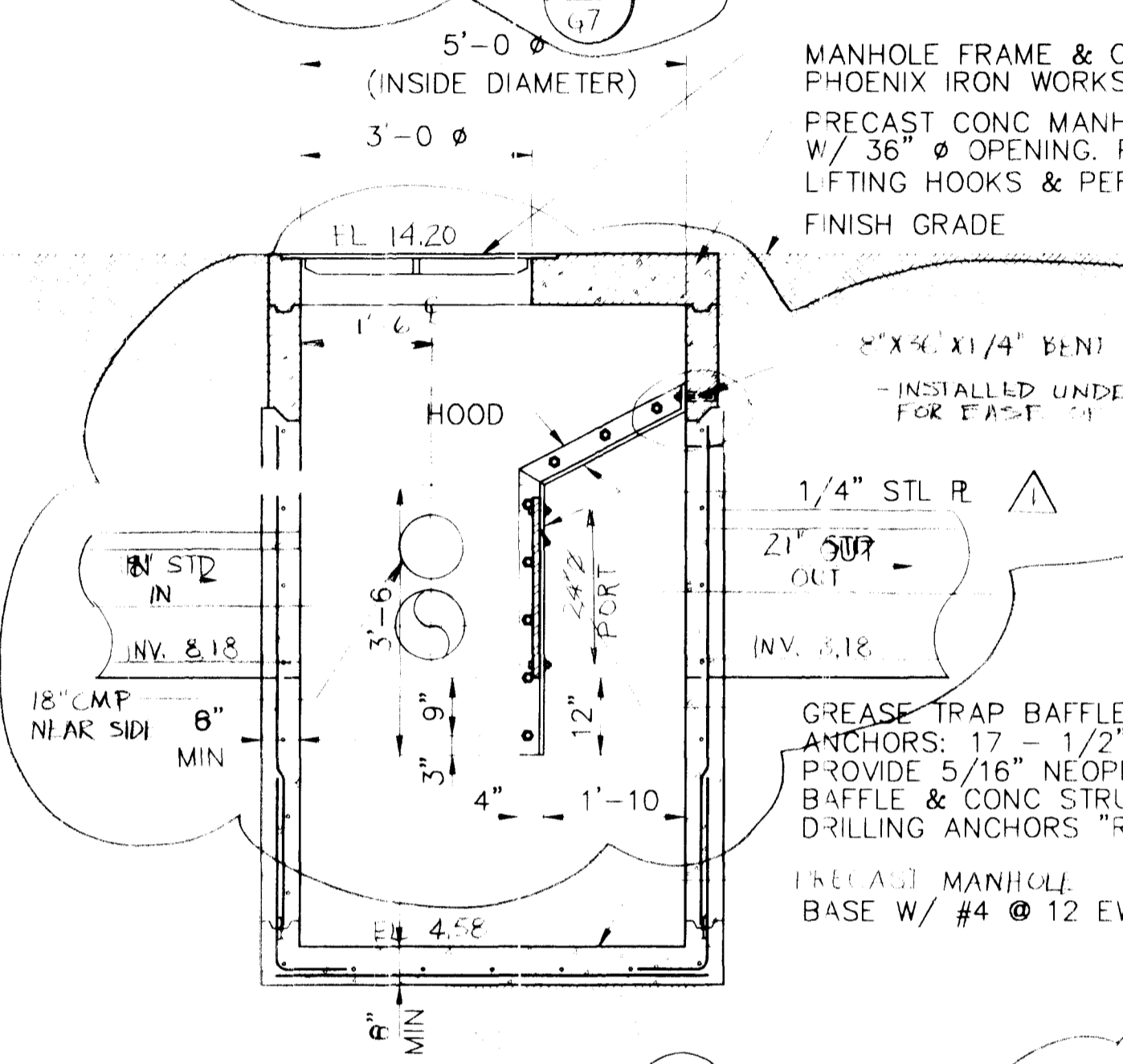
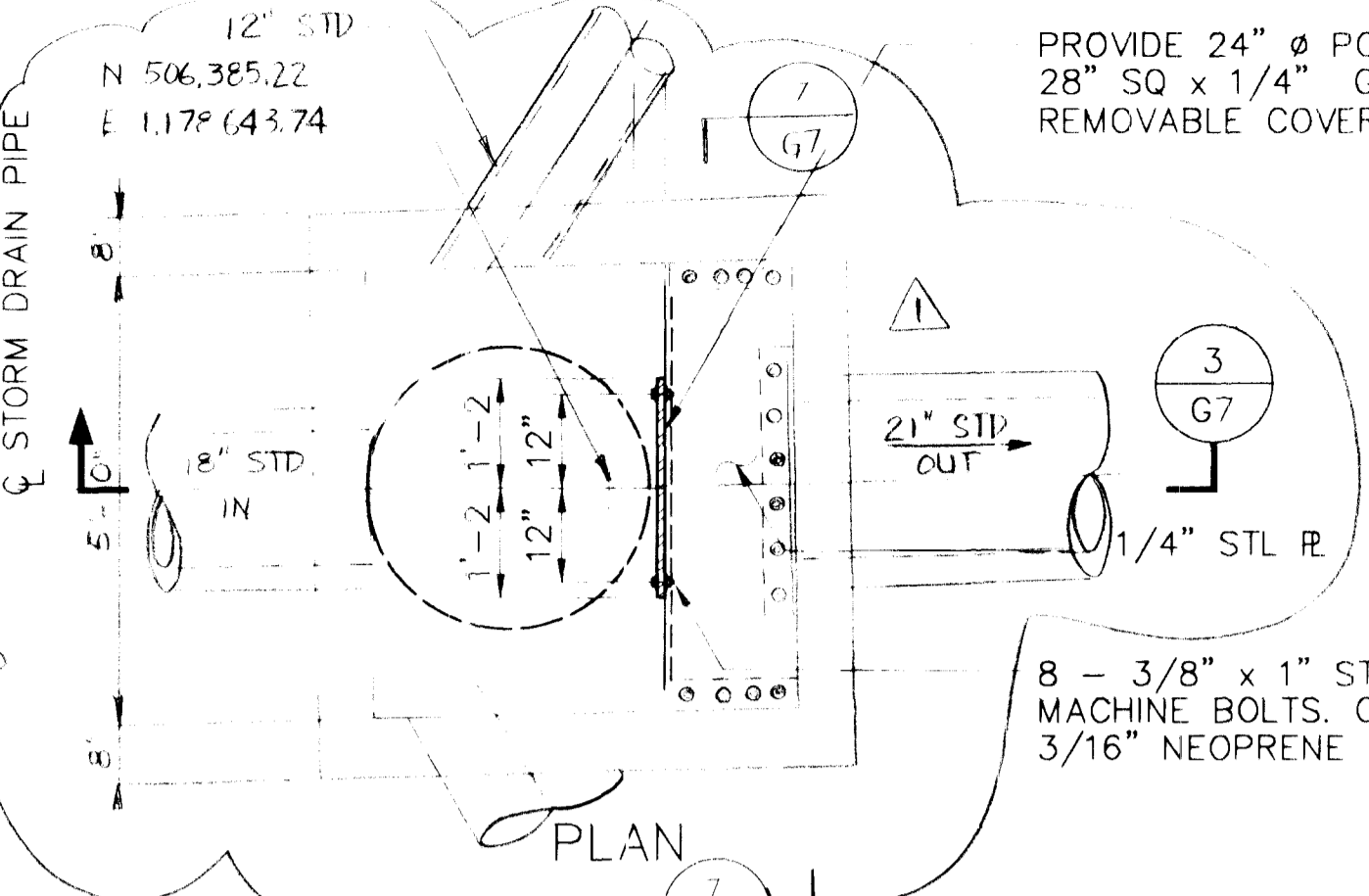
MONTEREY REGIONAL
 WATER POLLUTION CONTROL AGENCY
 MONTEREY COUNTY, CALIFORNIA

PLAN AND PROFILE 1

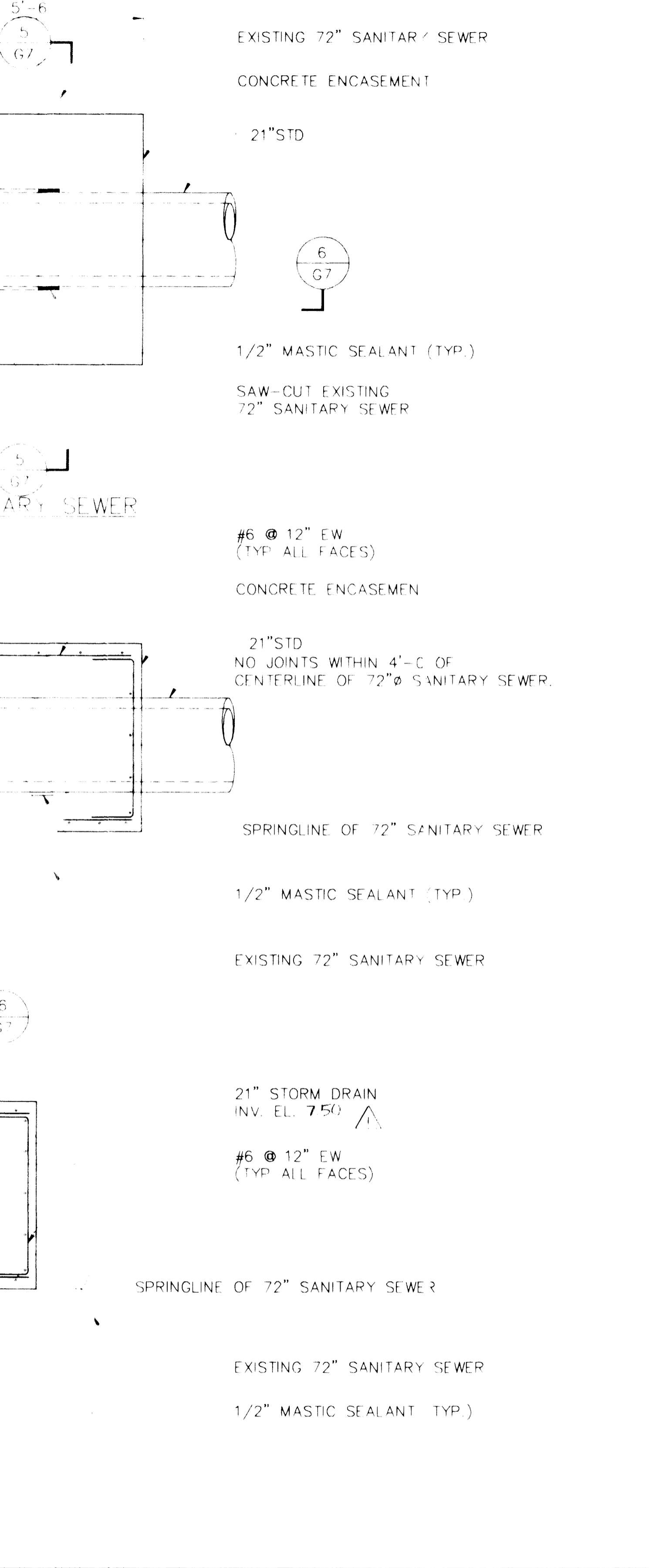
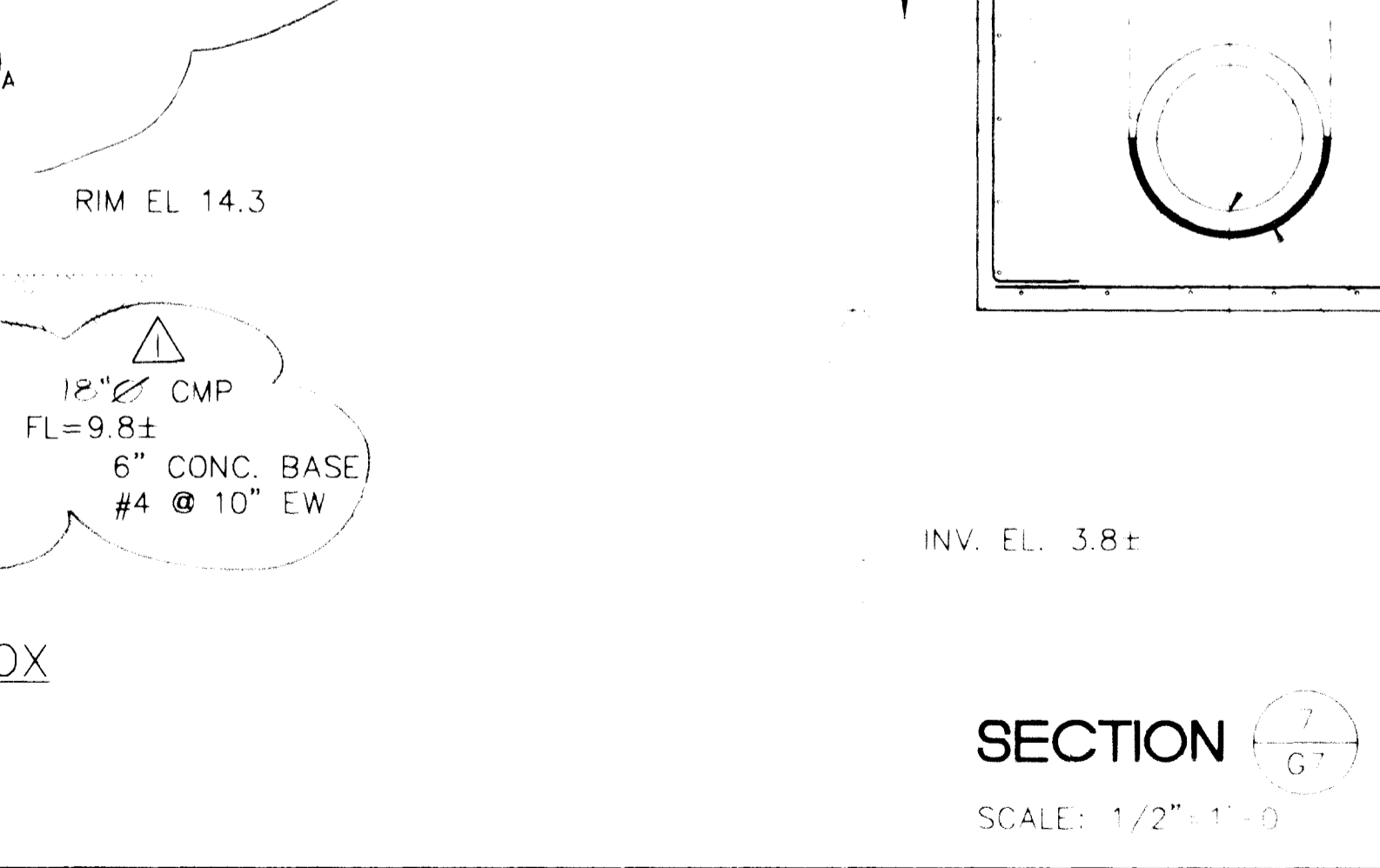
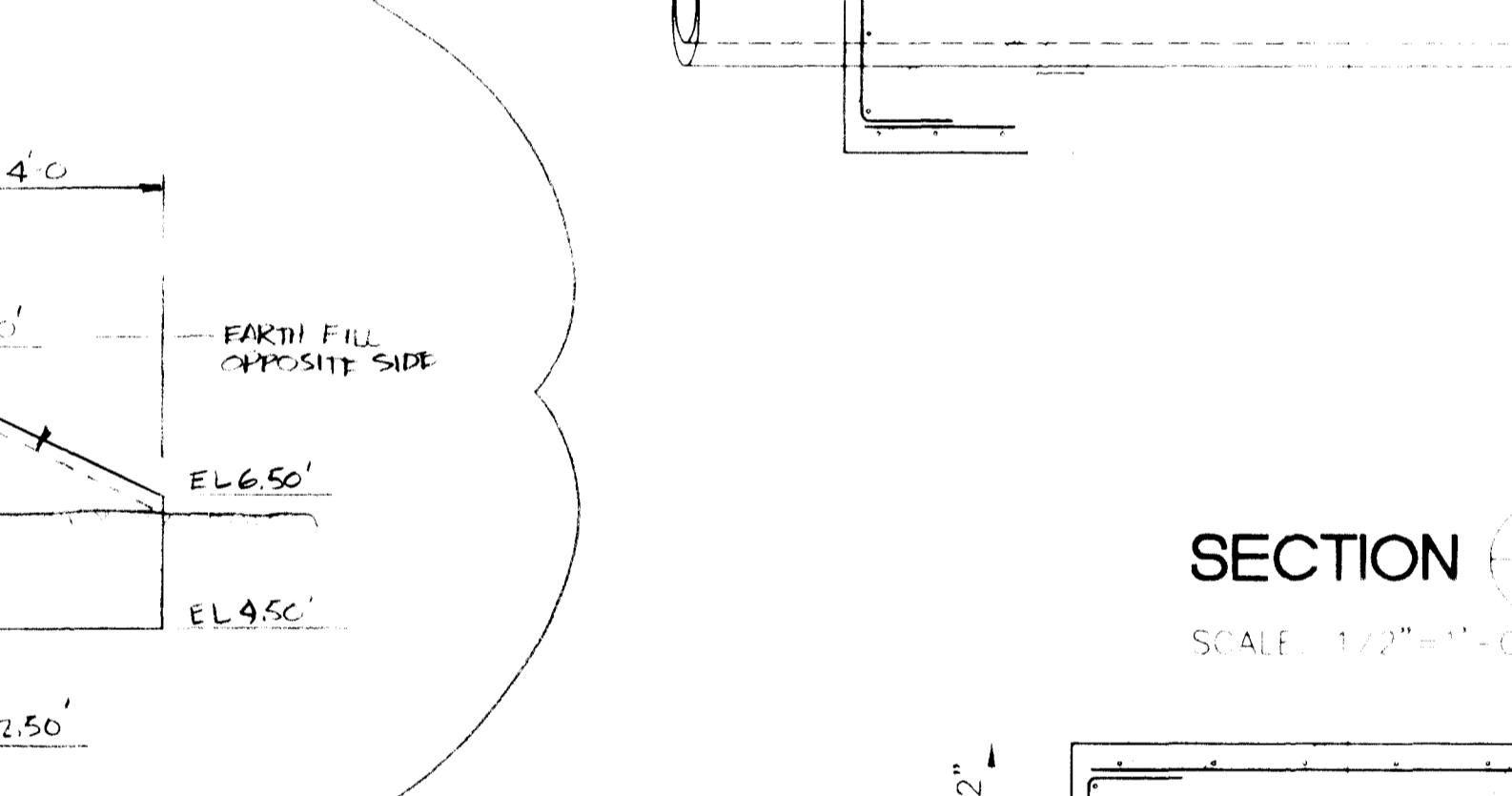
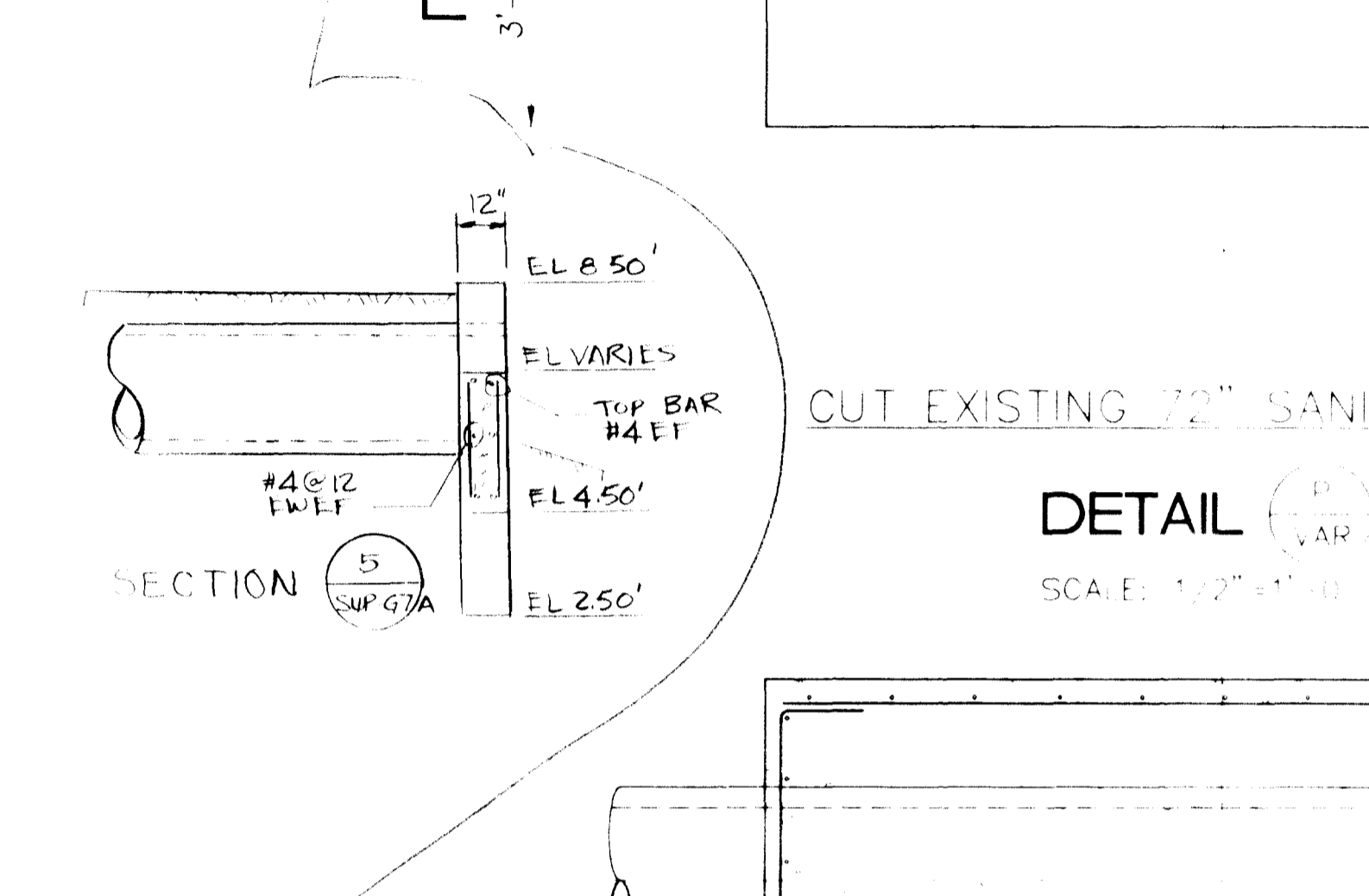
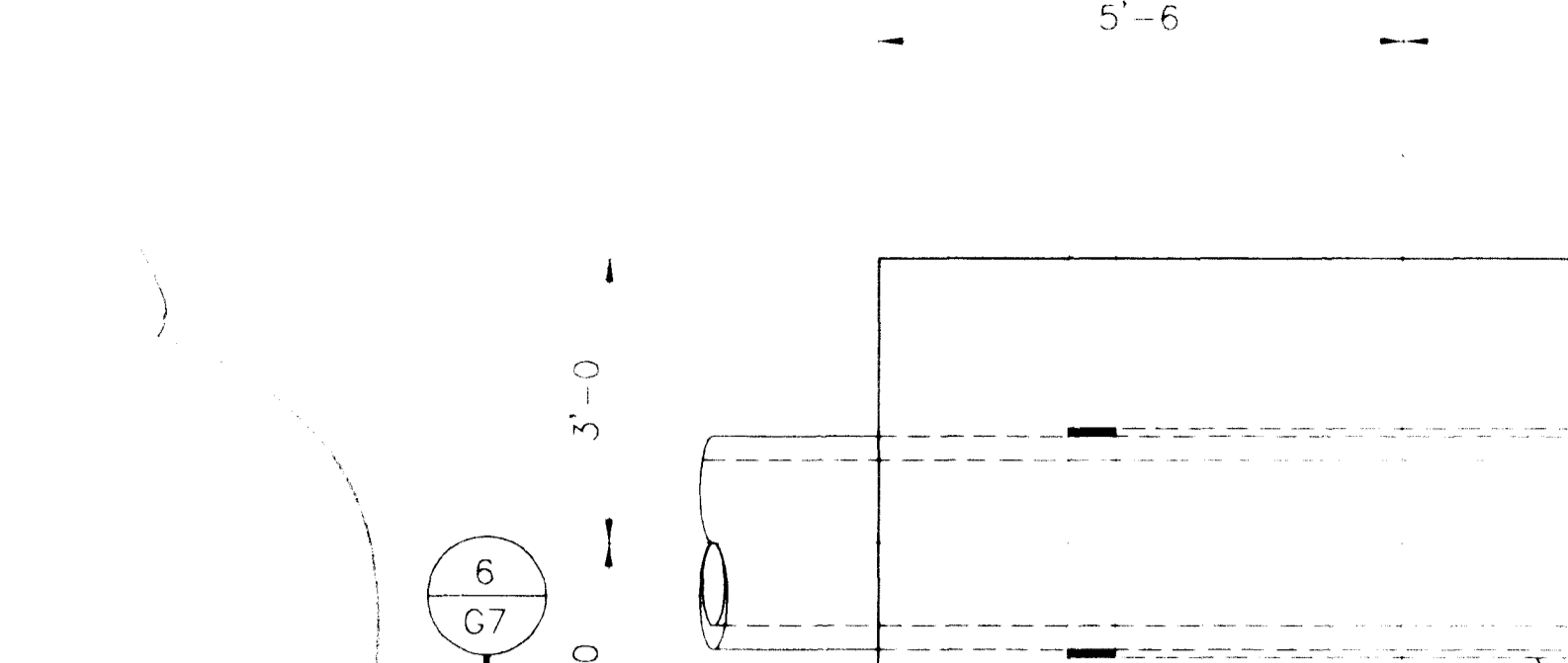
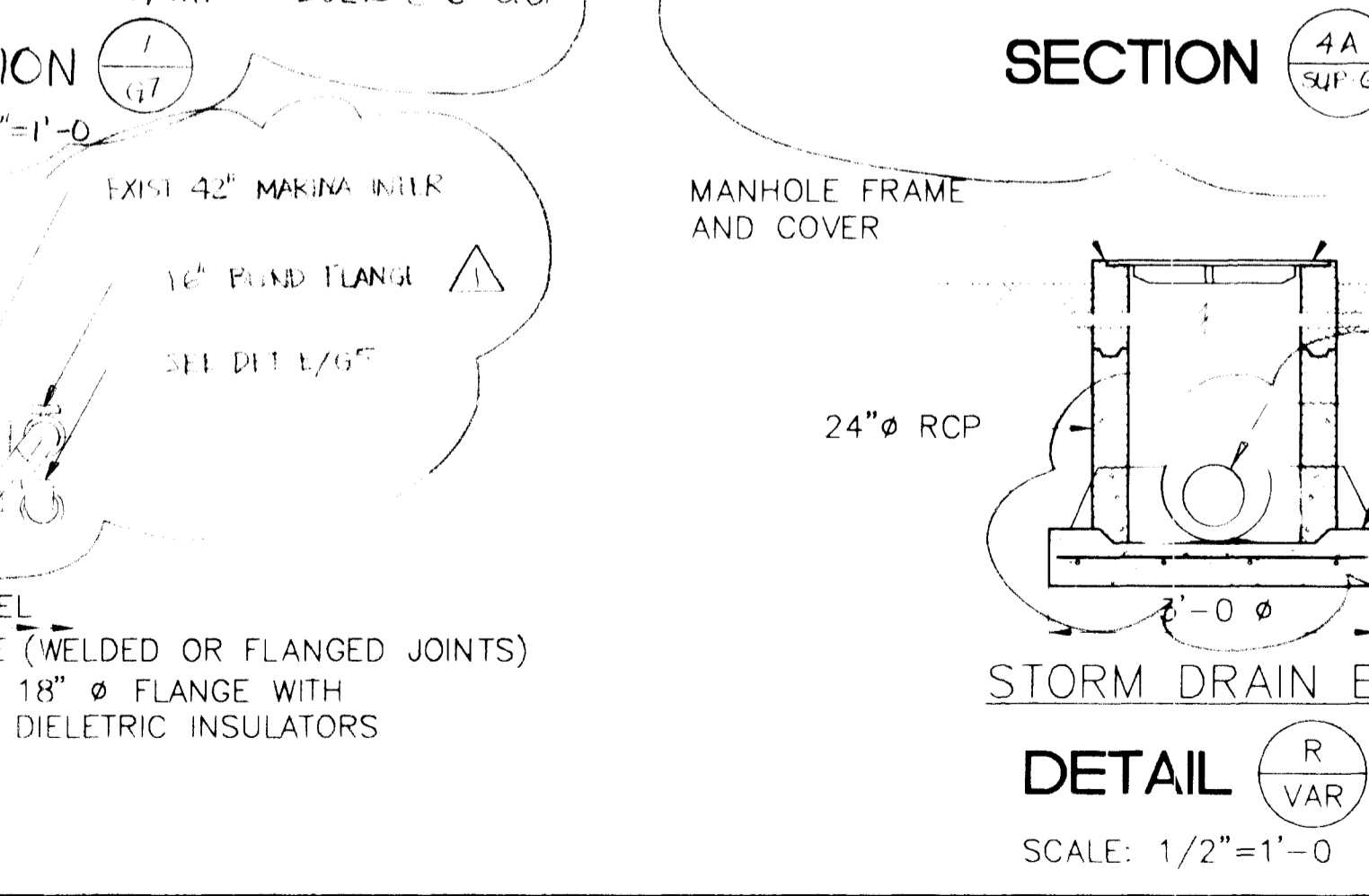
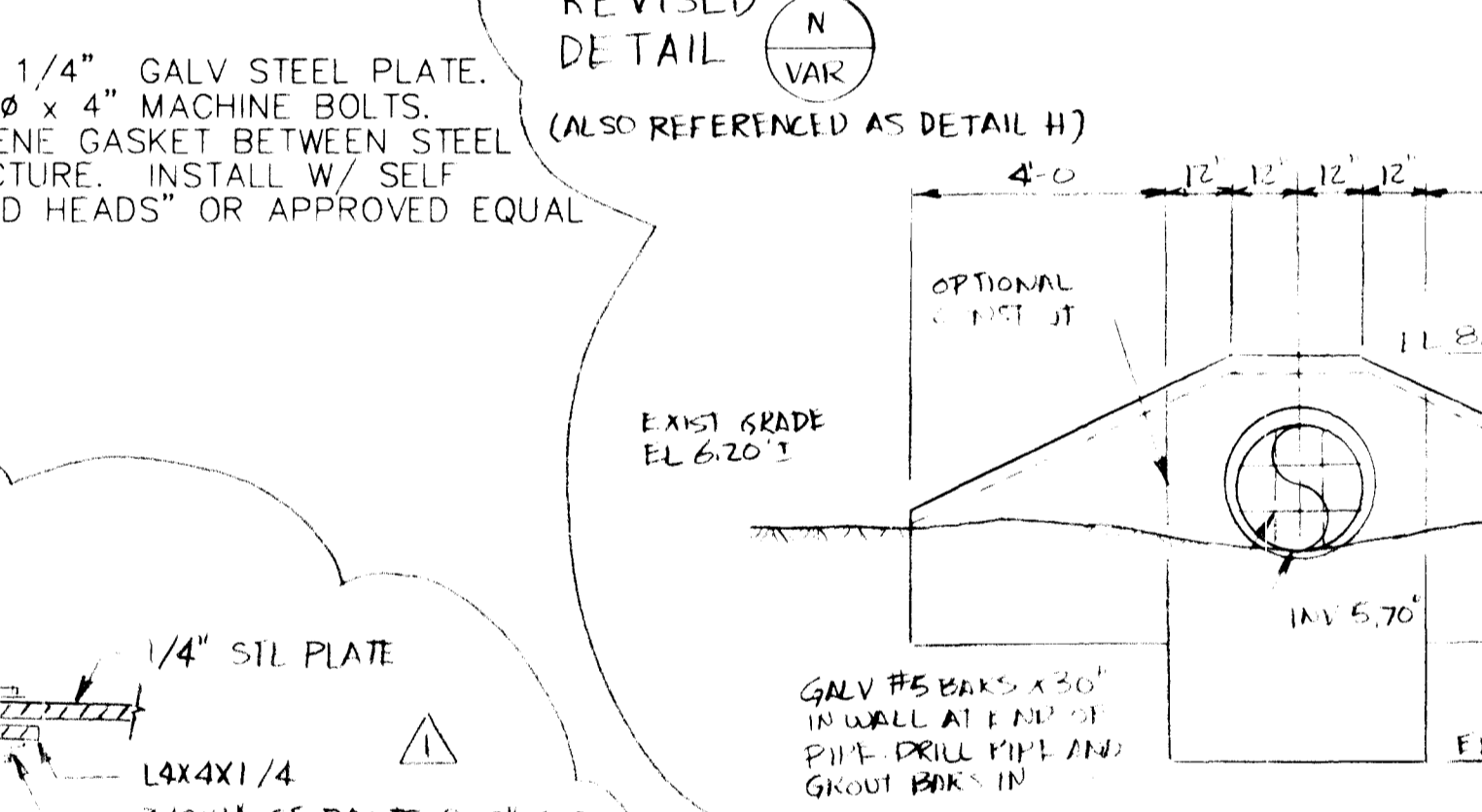
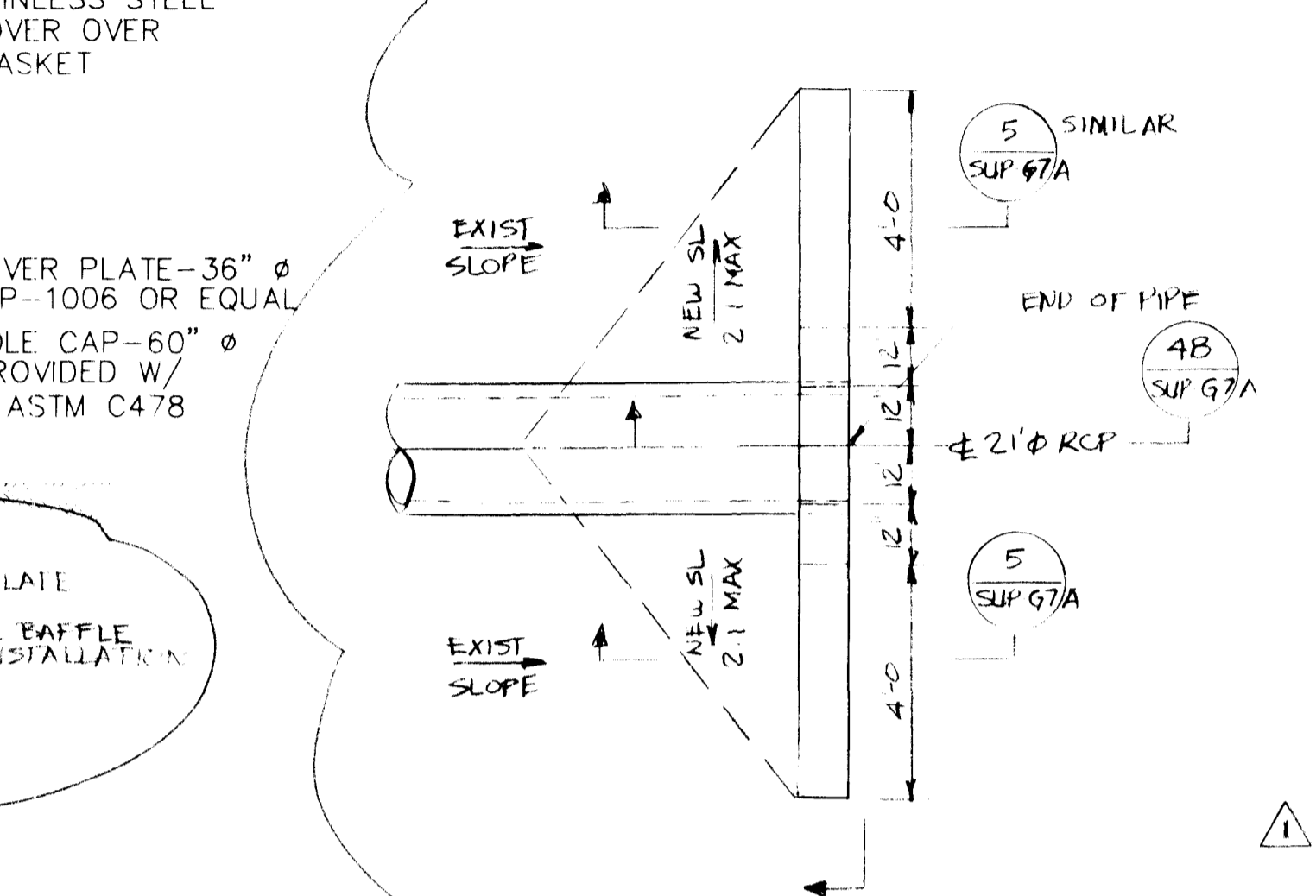
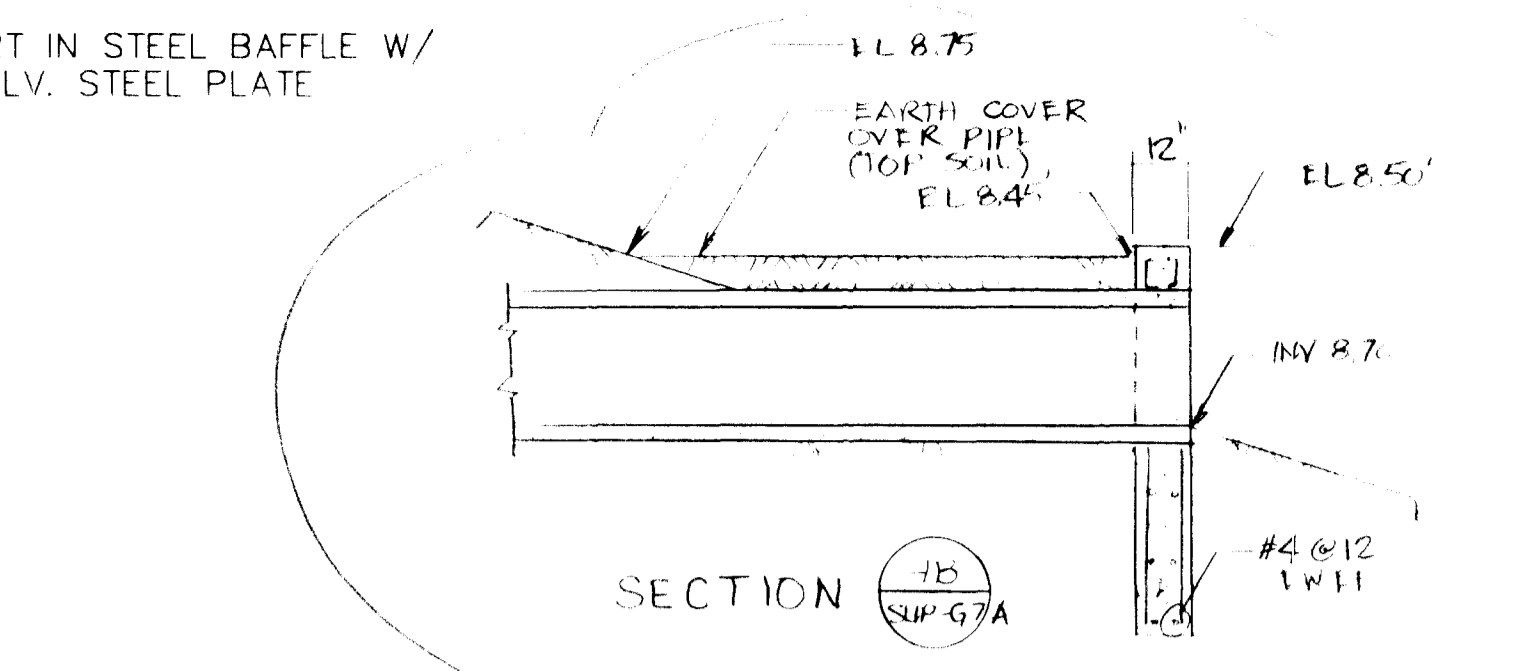
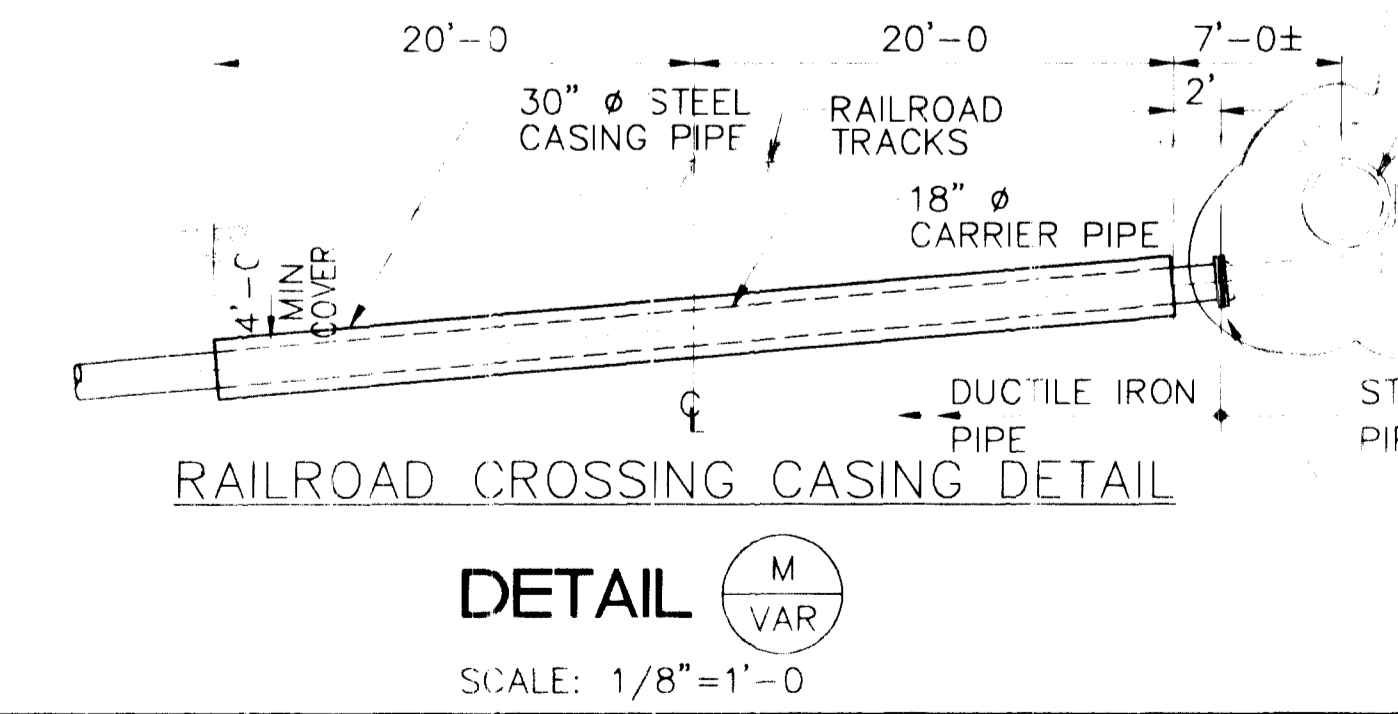
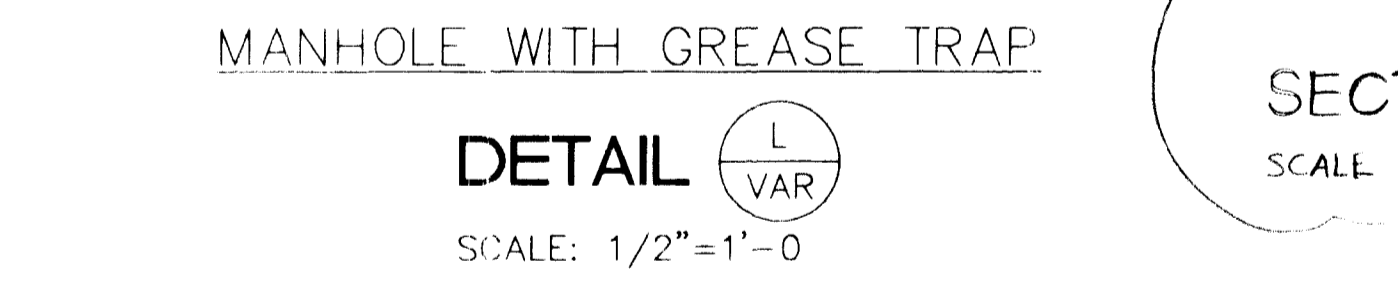
DRAWING NUMBER
G4

SHEET NUMBER

SCALE



NOTES:
 1. ALL JOINTS SHALL BE 1/4" FILLET CORNER WELDED FULL LENGTH, SHOP WELDED.
 2. HOOD SHALL BE GALV AFTER FABRICATION
 3. PROVIDE (2) TWO LIFTING EYES ON BAFFLE



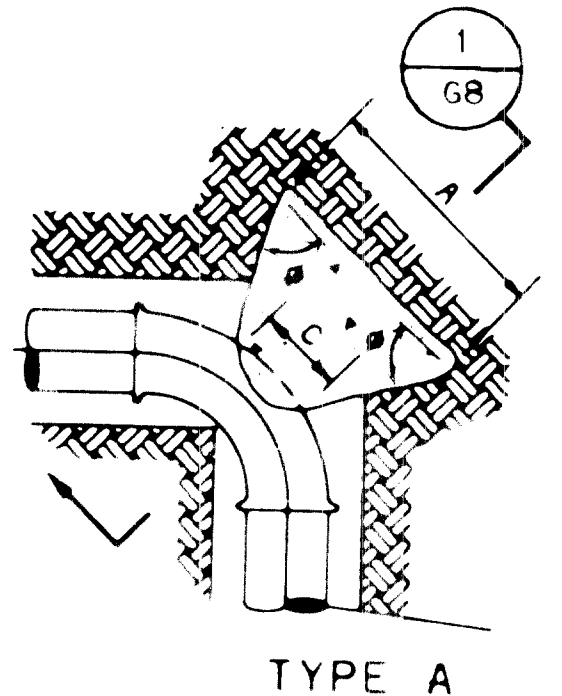
Brown and Caldwell Consultants
 PROJECT MANAGER: [Signature]
 DATE: 1-14-92
 APPROVED: [Signature]
 DATE: 1-14-92
 APPROVED: [Signature]
 DATE:

LINE S 2 INCHES AT FULL SIZE (IF NOT 2" SCALE ACCORDINGLY)
 FILE: [Blank]
 DRAWN: [Blank]
 DESIGNED: [Blank]
 CHECKED: [Blank]
 CHECKED: [Blank]

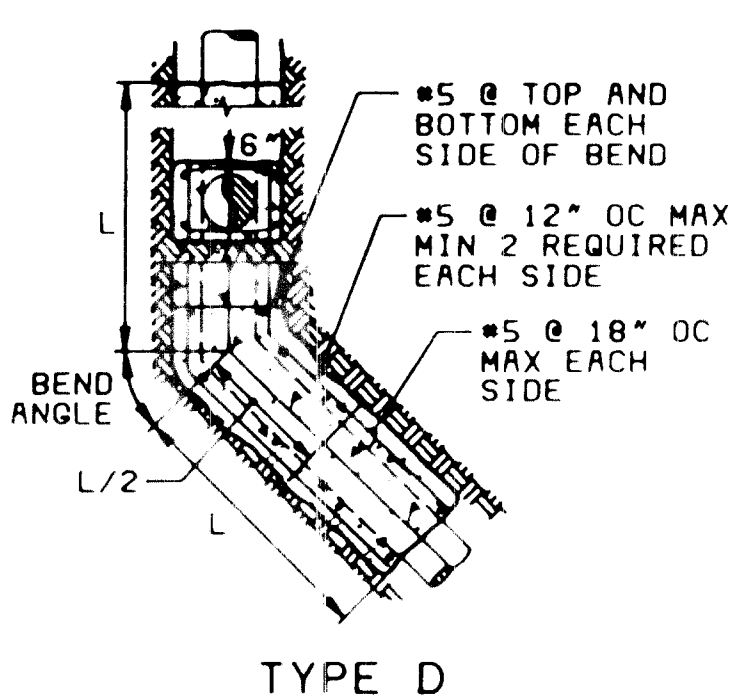
ZONE	REV.	DESCRIPTION	BY	DATE	APP.
	1	AS BLD & CORRECTIONS	KT		

MCWD CONNECTION FACILITIES
 MONTEREY REGIONAL WATER POLLUTION CONTROL AGENCY
 MONTEREY COUNTY, CALIFORNIA

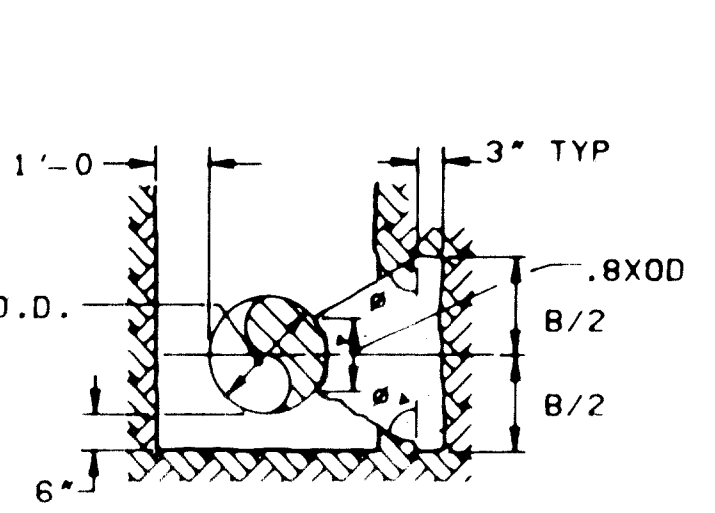
MISCELLANEOUS DETAILS 2
 G7
 SHEET NUMBER



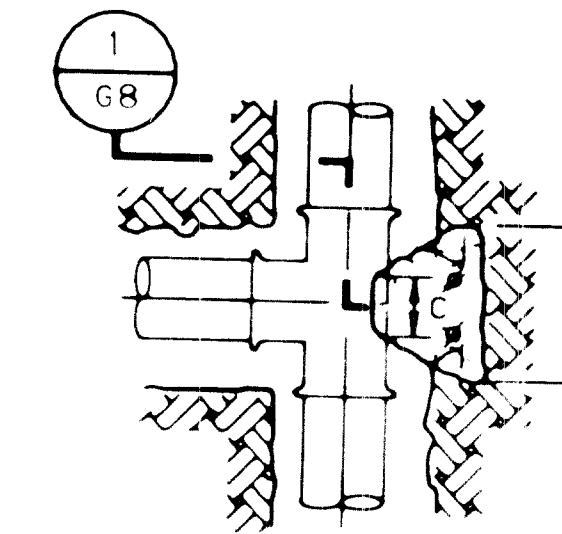
TYPE A



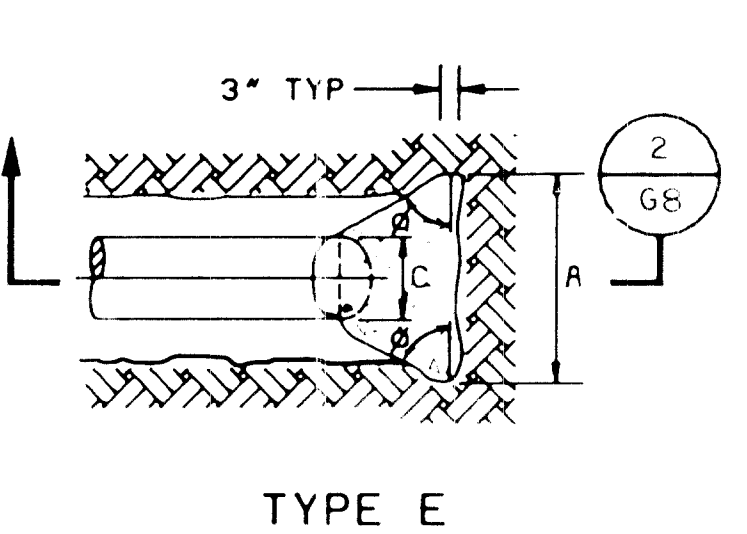
TYPE D



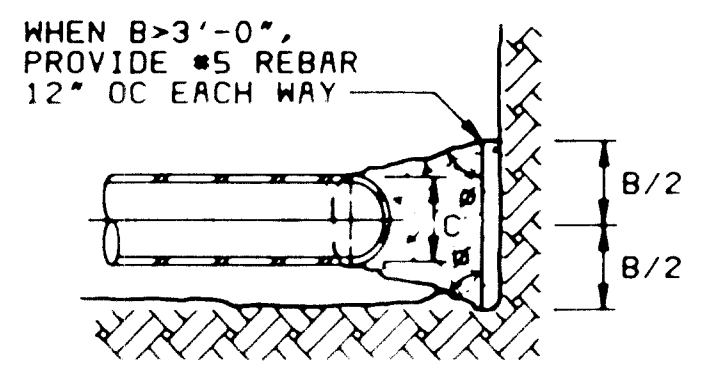
SECTION 1
G8



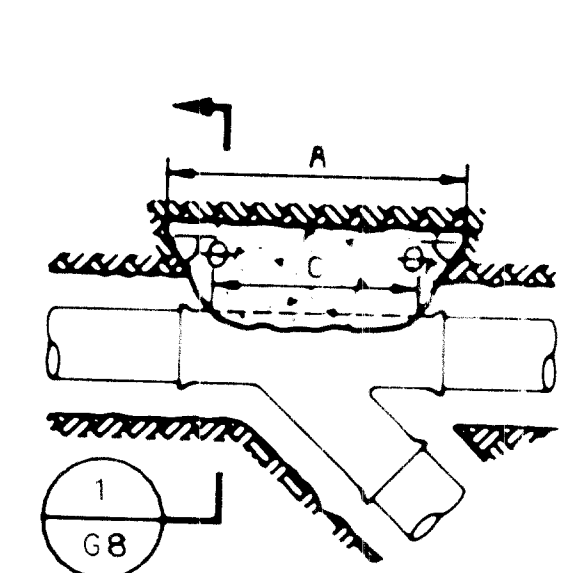
TYPE B



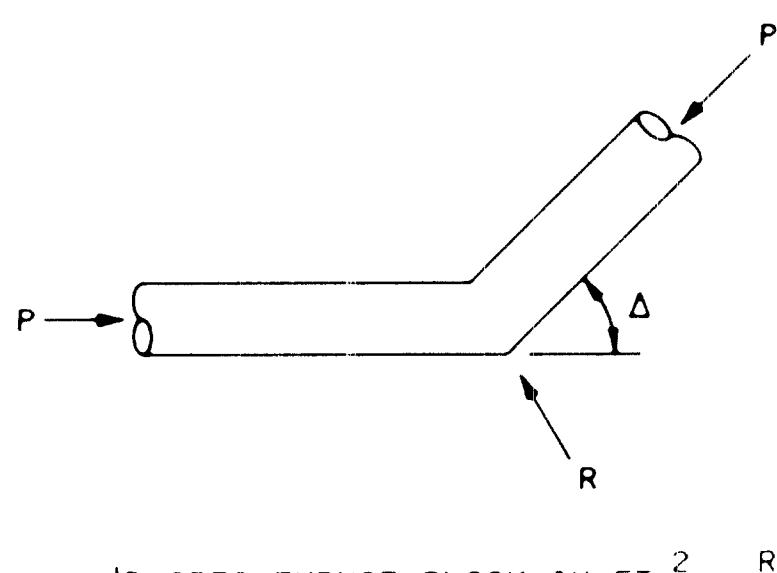
TYPE E



SECTION 2
G8



TYPE C



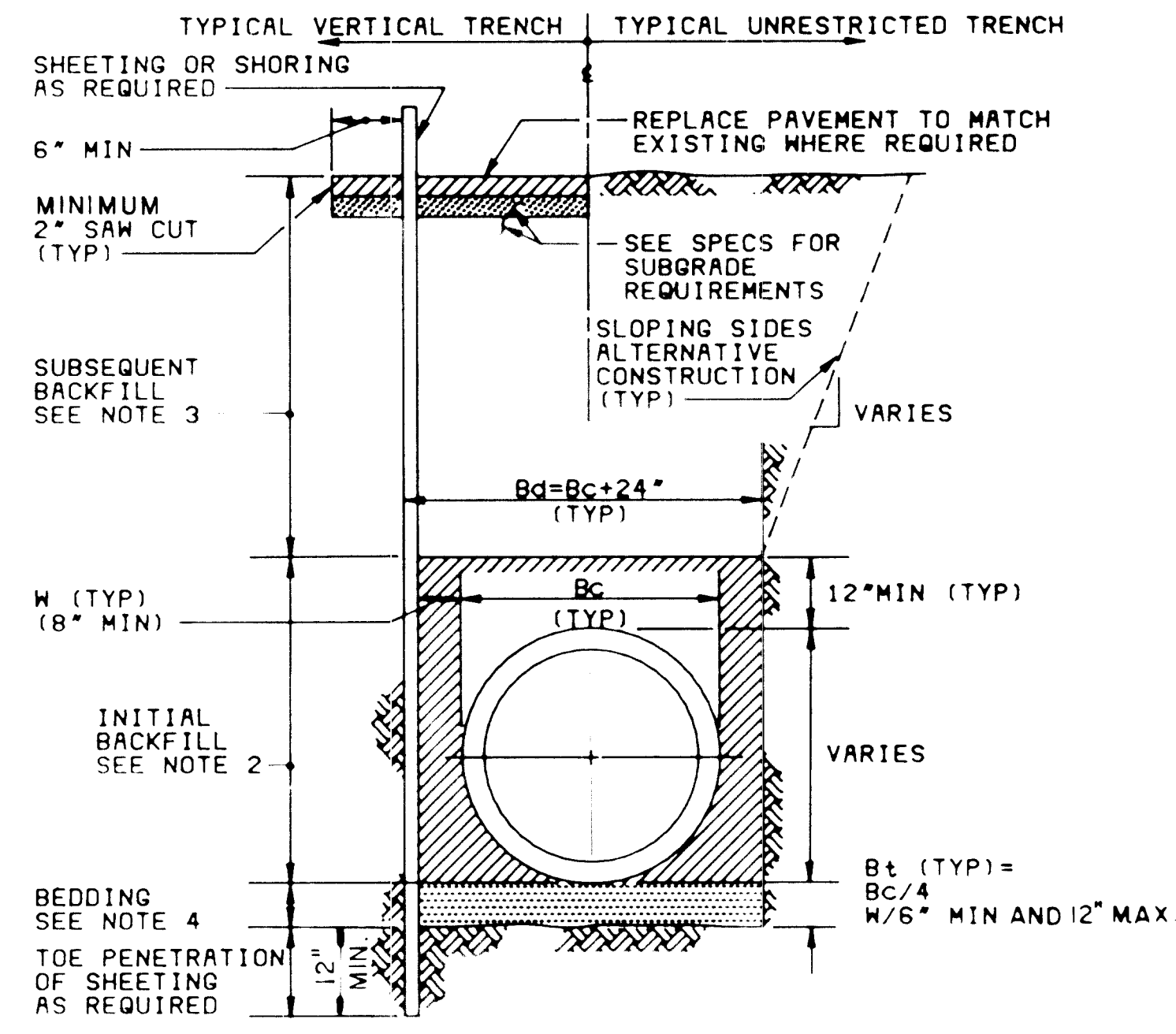
REQ'D AREA THRUST BLOCK IN FT² = $\frac{R \text{ LBS}}{\text{PASSIVE PRESS. LBS/FT}^2}$

THRUST BLOCK AREA = A X B OR L X H

- NOTES:
THE CONTRACTOR SHALL CALCULATE AND INSTALL BLOCK SIZE IN ACCORDANCE WITH THESE NOTES.
1. THE ABOVE DETAILS SHALL APPLY TO ALL BURIED PRESSURE PIPING.
 2. FITTINGS TO RECEIVE POLYETHYLENE WRAPPING SHALL BE WRAPPED PRIOR TO POURING THRUST BLOCK.
 3. THRUST BLOCK SIZES BASED ON A UNIT PASSIVE SOIL PRESSURE OF 250 PSF PER FOOT OF DEPTH WITH THE FIRST FOOT OF SOIL IGNORED. DEPTH MEASURED TO CENTERLINE OF PIPE.
 4. THRUST BLOCKS SHALL BE POURED SOLIDLY AGAINST FIRM, UNDISTURBED SOIL WITH PASSIVE PRESSURE EQUAL TO OR GREATER THAN THAT SHOWN IN NOTE 3.
 5. IF LOOSE OR PREVIOUSLY BACKFILLED SOILS ARE ENCOUNTERED, CONTRACTOR SHALL NOTIFY THE CONSTRUCTION MANAGER OR RESIDENT ENGINEER WHO MAY ADJUST THE DIMENSION SHOWN IN THE SCHEDULE.
 6. CONCRETE COMPRESSIVE STRENGTH SHALL MEET SPECIFICATIONS FOR 3000 PSI AT 28 DAYS CURING WHEN TESTED IN ACCORDANCE WITH ASTM C 39.
 7. MINIMUM C - DIMENSIONS SHOWN ON THE DETAILS SHALL BE EQUAL TO PIPE OD.
 8. CONCRETE SHALL NOT EXTEND BEYOND THE ENDS OF PIPE FITTINGS WITHOUT APPROVAL OF THE CONSTRUCTION MANAGER OR RESIDENT ENGINEER.
 9. MINIMUM VALUE OF THRUST BLOCK ANGLE θ SHALL BE 45 DEGREES.
 10. WHERE THERE IS INADEQUATE SPACE FOR TYPE "A" THRUST BLOCK AT ANY HORIZONTAL BEND, TYPE "D" IS USED. TYPE "D" THRUST BLOCK SHALL BE APPROVED BY CONSTRUCTION MANAGER

THRUST BLOCK DETAILS

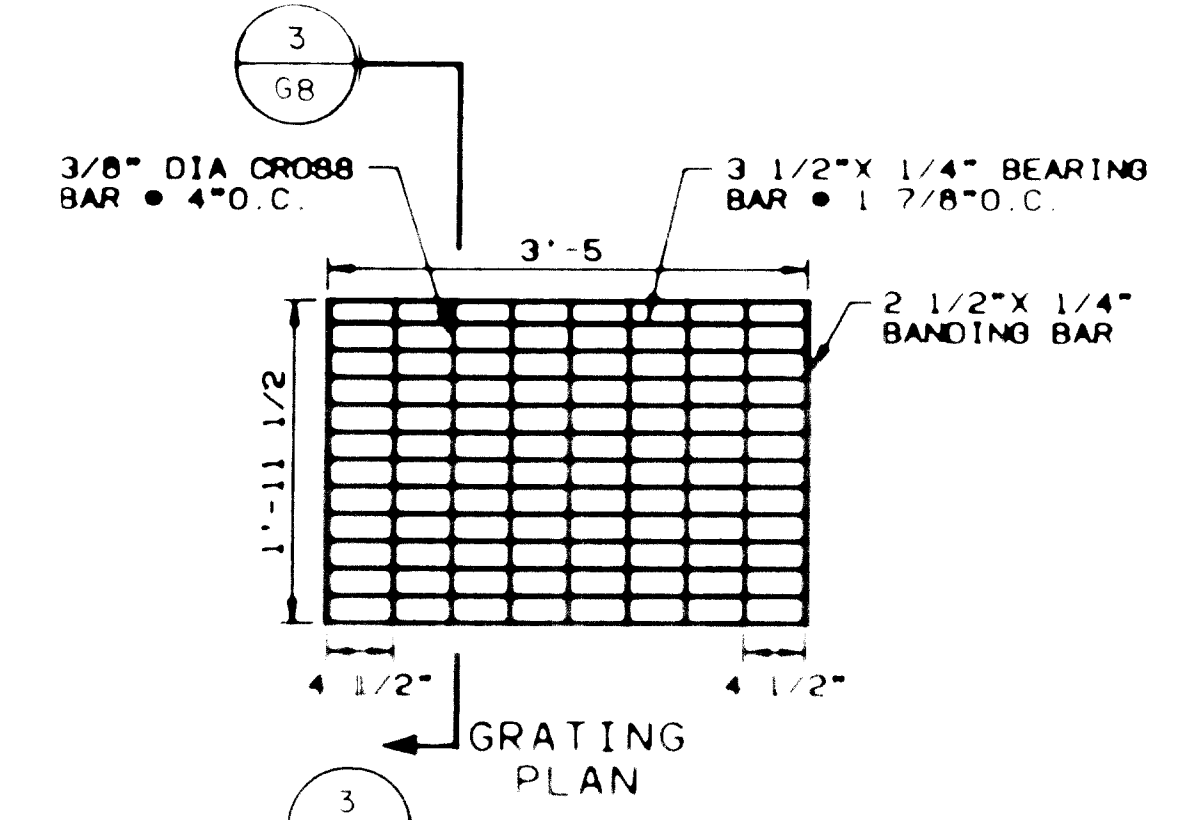
DETAIL A
VAR
NO SCALE



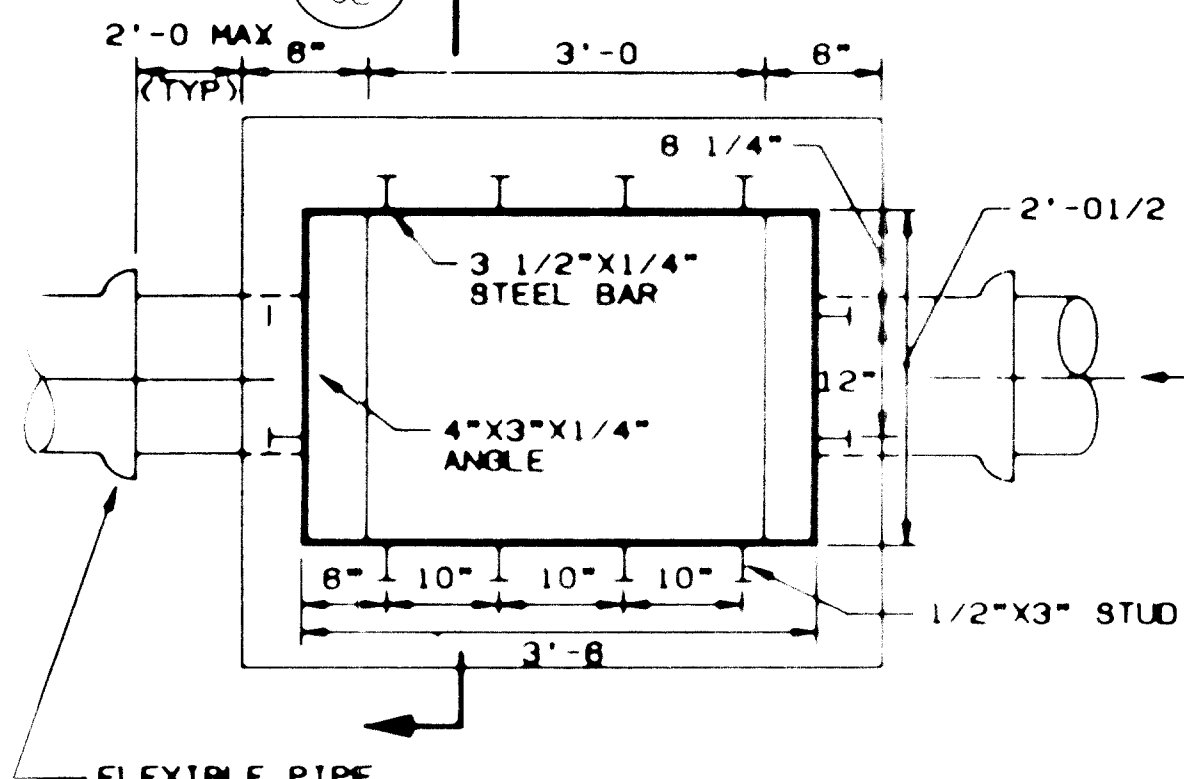
TYPICAL TRENCH DETAIL
APPLIES TO FULL LENGTH OF PIPE

DETAIL B
VAR
NO SCALE

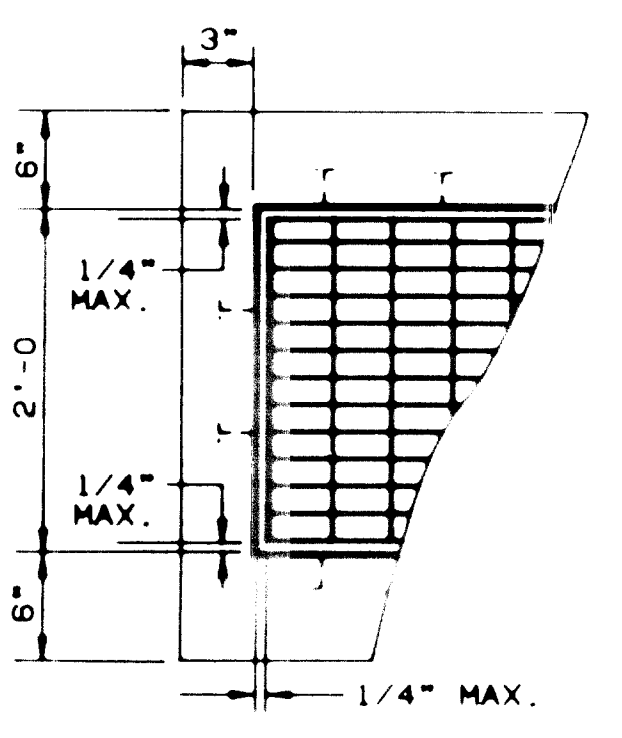
- NOTES:
1. BEDDING TYPE LOAD FACTOR 1.9.
 2. INITIAL BACKFILL: SEE TABLE A, SEC. 02200.
 3. SUBSEQUENT BACKFILL: SEE TABLE A, SEC. 02200.
 4. BEDDING MATERIAL: SEE TABLE A, SPEC 02200.
- TYPICAL TRENCH LIMITATIONS:
Bd=WIDTH FROM BOTTOM TO 12" ABOVE PIPE
W=CLEARANCE TO SHEETING OR TO EARTH
D=PIPE INSIDE DIAMETER, I.E. NOMINAL PIPE SIZE
Bc=PIPE OUTSIDE DIAMETER
Bt=DEPTH OF BEDDING



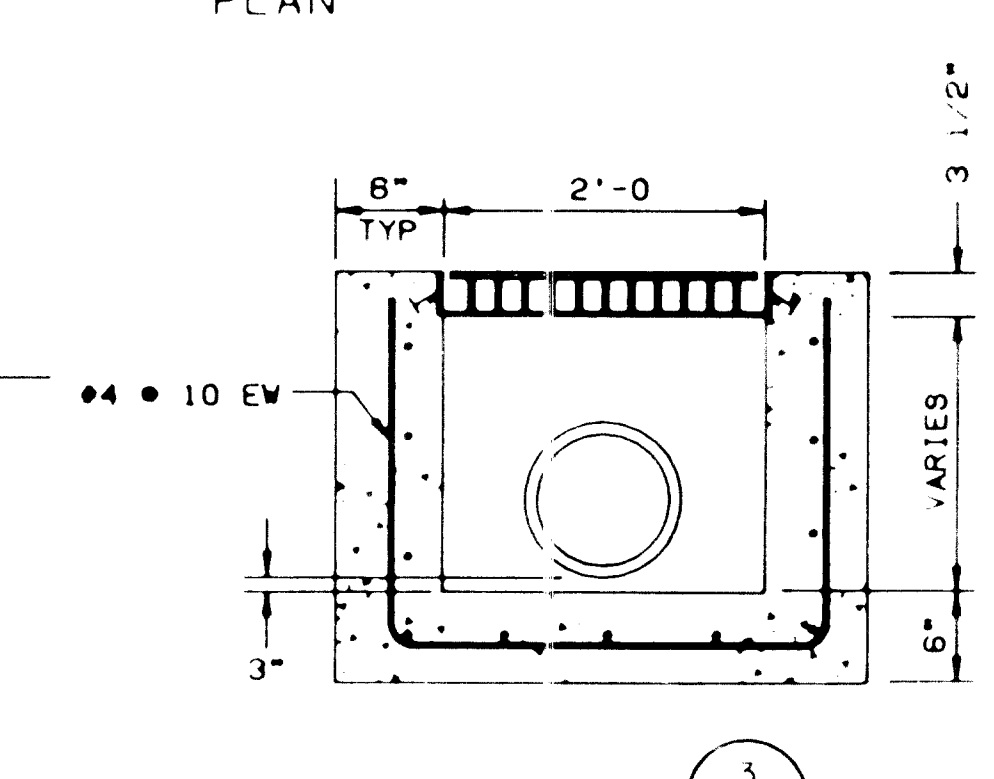
GRATING PLAN



FRAME PLAN



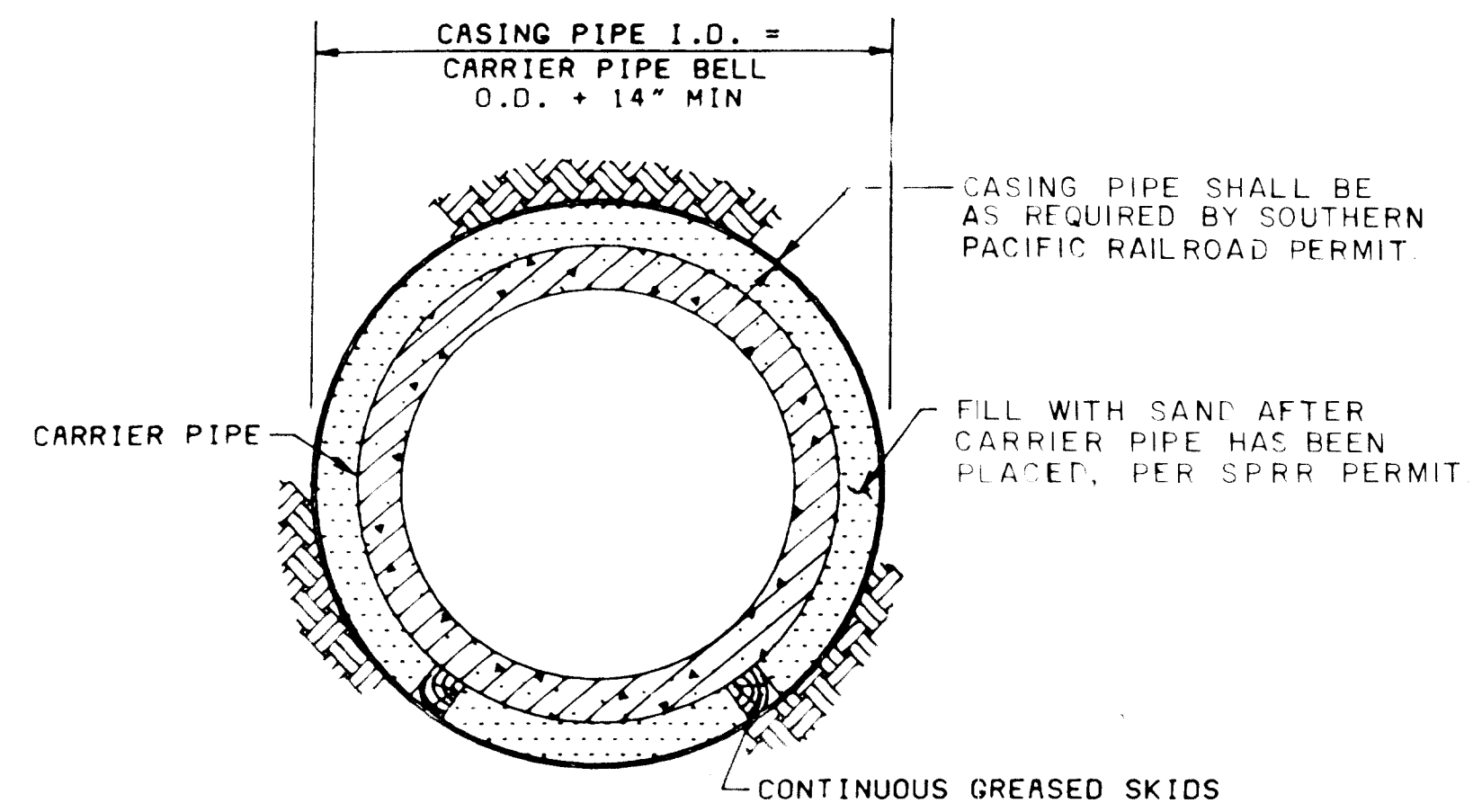
PLAN



SECTION 3
G8
NO SCALE

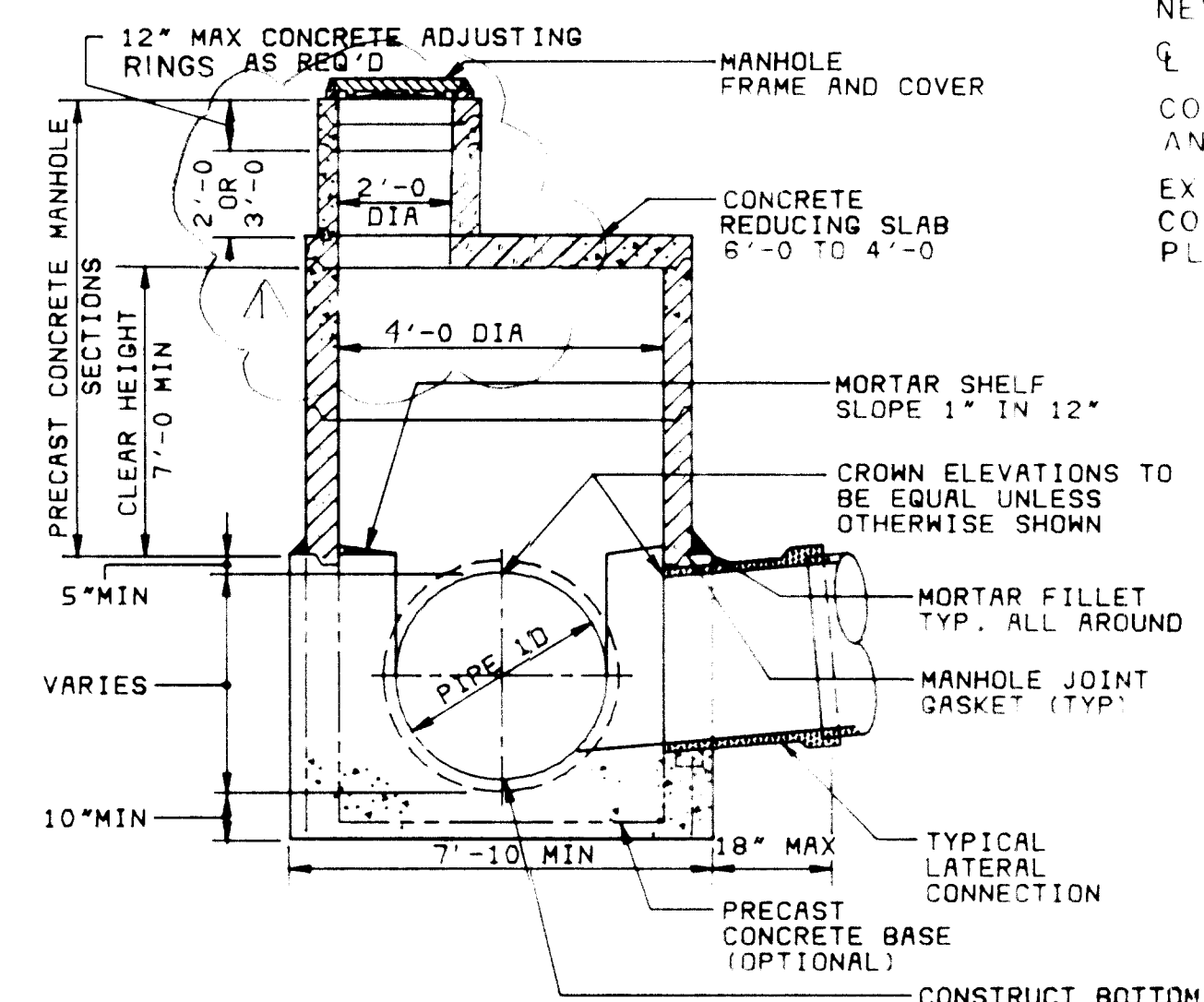
CATCH BASIN

DETAIL D
VAR
NO SCALE



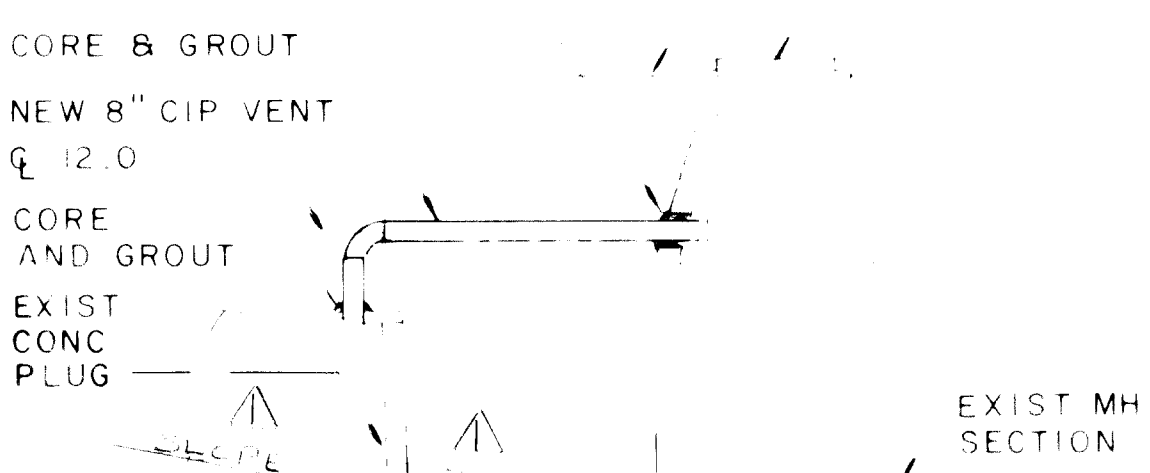
JACKED PIPE WITH CASING SECTION

DETAIL C
VAR
NO SCALE



MANHOLE
24" TO 48" DIA PIPE
(INCLUSIVE)

DETAIL E
VAR
NO SCALE



DETAIL F
G101

BC Brown and Caldwell
Consultants

FILE 5478
DRAWN C TO
DESIGNED M MOAYER
CHECKED
CHECKED

LINE IS 2 INCHES
AT FULL SIZE

DATE: 11/92
DATE: 11/92

PROFESSIONAL ENGINEER
No 13360
CIVIL
STATE OF CALIFORNIA

PROFESSIONAL ENGINEER
No 27991
CIVIL
STATE OF CALIFORNIA

ZONE REV.	DESCRIPTION	BY	DATE	APP
1	CONSTRUCTION	BT		

MCWD CONNECTION FACILITIES

MONTEREY REGIONAL
WATER POLLUTION CONTROL AGENCY
MONTEREY COUNTY, CALIFORNIA

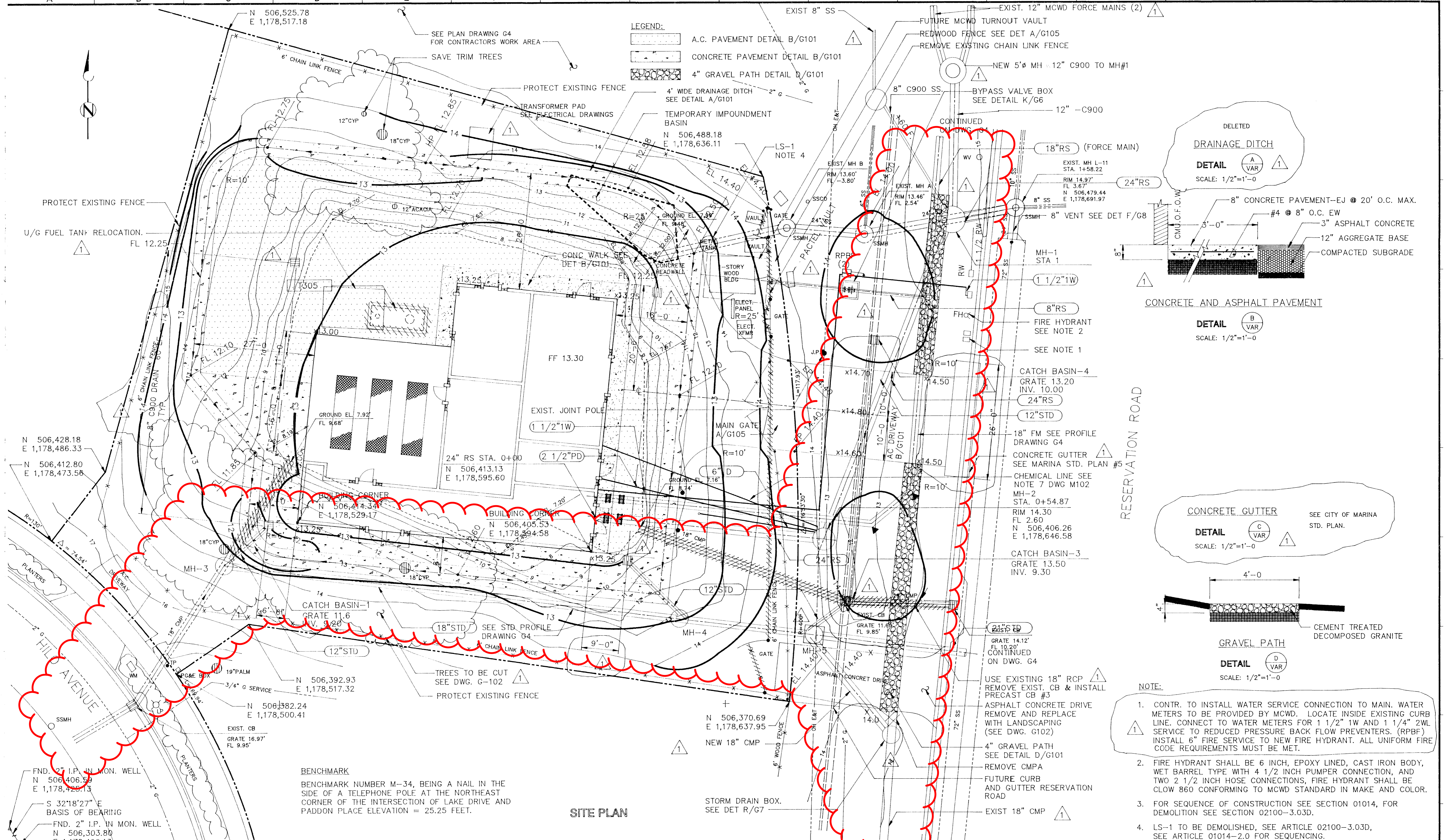
GENERAL

MISCELLANEOUS DETAILS 3

SCALE
NO SCALE

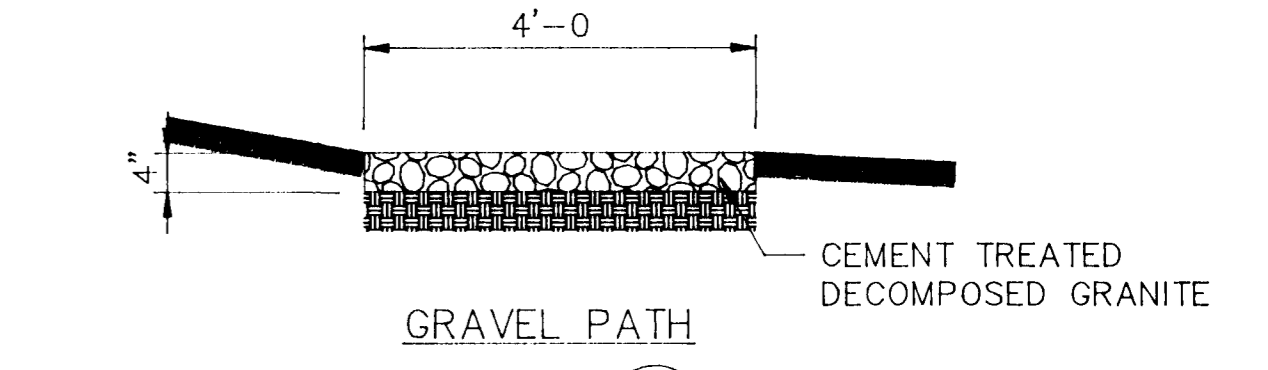
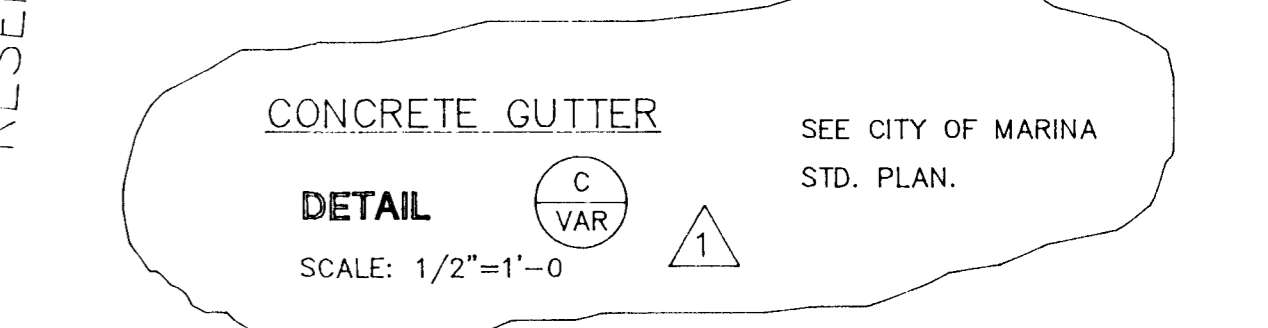
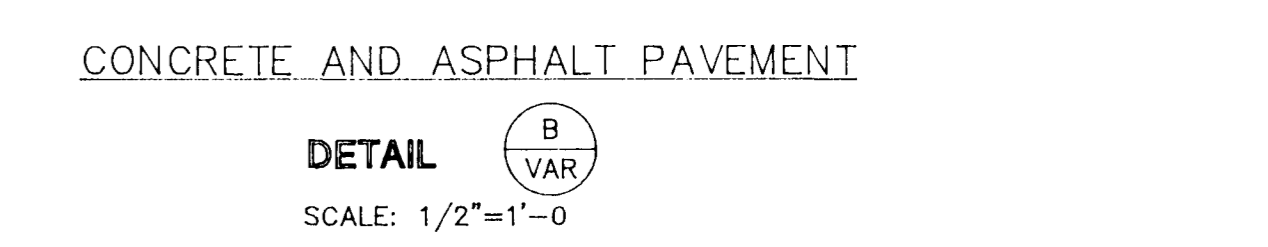
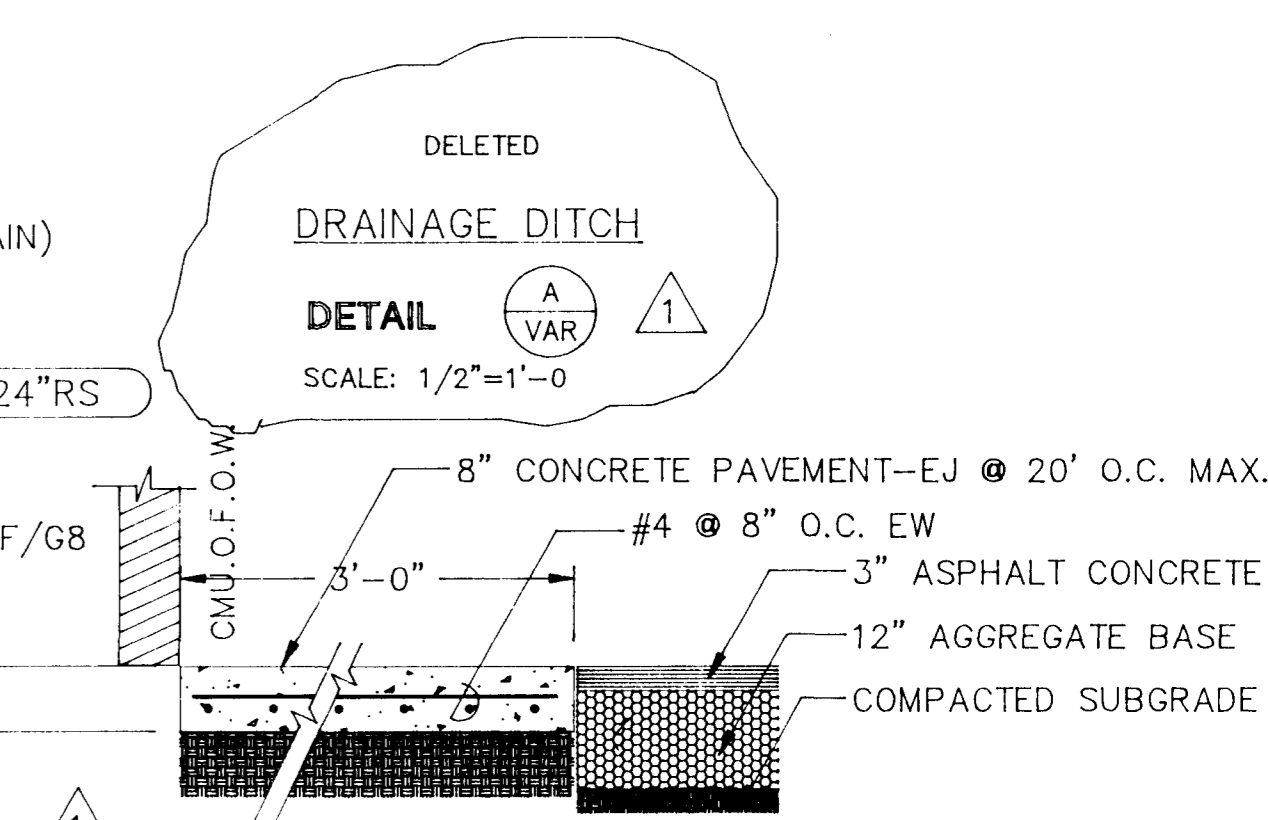
DRAWING NUMBER
G8

SHEET NUMBER



LEGEND:

- A.C. PAVEMENT DETAIL B/G101
- CONCRETE PAVEMENT DETAIL B/G101
- 4" GRAVEL PATH DETAIL D/G101



- NOTE:**
- CONTR. TO INSTALL WATER SERVICE CONNECTION TO MAIN. WATER METERS TO BE PROVIDED BY MCWD. LOCATE INSIDE EXISTING CURB LINE. CONNECT TO WATER METERS FOR 1 1/2" 1W AND 1 1/4" 2WL SERVICE TO REDUCED PRESSURE BACK FLOW PREVENTERS. (RPBF) INSTALL 6" FIRE SERVICE TO NEW FIRE HYDRANT. ALL UNIFORM FIRE CODE REQUIREMENTS MUST BE MET.
 - FIRE HYDRANT SHALL BE 6 INCH, EPOXY LINED, CAST IRON BODY, WET BARREL TYPE WITH 4 1/2 INCH PUMPER CONNECTION, AND TWO 2 1/2 INCH HOSE CONNECTIONS, FIRE HYDRANT SHALL BE CLOW 860 CONFORMING TO MCWD STANDARD IN MAKE AND COLOR.
 - FOR SEQUENCE OF CONSTRUCTION SEE SECTION 01014, FOR DEMOLITION SEE SECTION 02100-3.03D.
 - LS-1 TO BE DEMOLISHED, SEE ARTICLE 02100-3.03D, SEE ARTICLE 01014-2.0 FOR SEQUENCING.

SITE PLAN

REVISIONS					
ZONE	REV.	DESCRIPTION	BY	DATE	APP.
1	1	AS BLT & CORRECTIONS	KT		

MCWD CONNECTION FACILITIES

MONTEREY REGIONAL WATER POLLUTION CONTROL AGENCY
MONTEREY COUNTY, CALIFORNIA

GENERAL

SITE PLAN

SCALE
1" = 10'

DRAWING NUMBER
G101

SHEET NUMBER

BC Brown and Caldwell Consultants

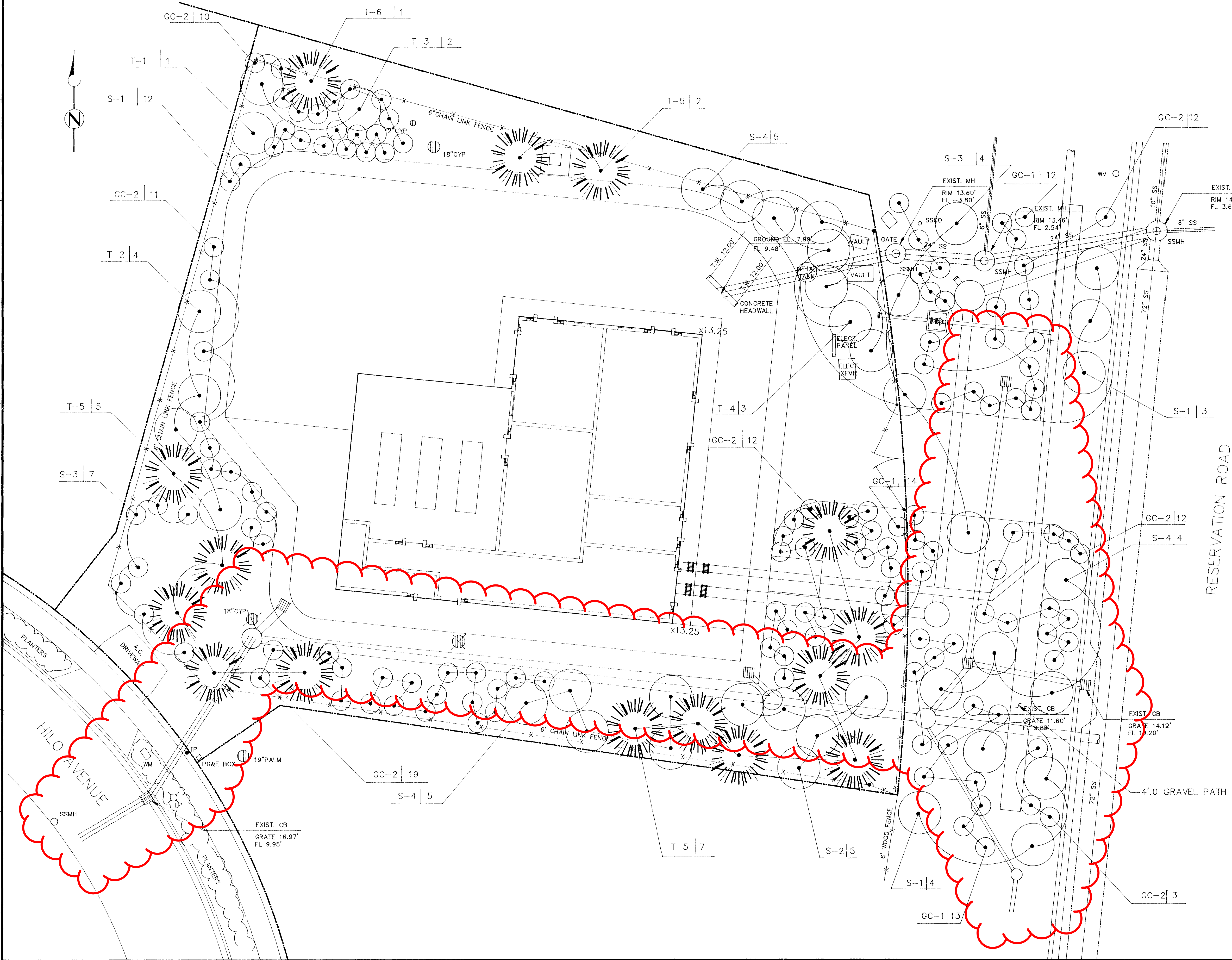
SUBMITTED: _____ DATE: _____
PROJECT MANAGER

APPROVED: _____ DATE: _____
BROWN AND CALDWELL

LINE IS 2 INCHES AT FULL SIZE (IF NOT 2" SCALE ACCORDINGLY)

FILE: 5478G101
DRAWN: C. TO/C.E.C.
DESIGNED: C. SOLDATI
CHECKED: J. COTTERAL

BENCHMARK
BENCHMARK NUMBER M-34, BEING A NAIL IN THE SIDE OF A TELEPHONE POLE AT THE NORTHEAST CORNER OF THE INTERSECTION OF LAKE DRIVE AND PADDON PLACE ELEVATION = 25.25 FEET.



PLANT MATERIALS LIST

SYM.	QUANTITY	BOTANICAL NAME	COMMON NAME	SIZE
TREES				
T-1	1	ACACIA BAILEYANA		5 GAL.
T-2	4	ACACIA CRASPEDOCARPA		5 GAL.
T-3	2	ACACIA DECORA		5 GAL.
T-4	3	CEANOTHUS "RAY HARTMAN"		5 GAL.
T-5	14	CUPRESSUS MACROCARPA	MONTEREY CYPRESS	5 GAL.
T-6	1	PINUS CANARIENSIS	CANARY ISLAND PINE	5 GAL.
SHRUBS				
S-1	19	ARCTOSTAPHYLOS HOOKERI "MONTEREY CARPET"	MANZANITA	1 GAL.
S-2	5	CEANOTHUS "CONCHA"		1 GAL.
S-3	11	CEANOTHUS "DARK STAR"		1 GAL.
S-4	14	FREMONTODENDRON CALIFORNICUM "CALIFORNIA GLORY"		1 GAL.
GROUND COVER				
GC-1	39	CEANOTHUS GLORIOSUS "ANCHOR BAY"		1 GAL.
GC-2	79	CEANOTHUS HORIZONTALIS "YANKEE POINT"		1 GAL.

LEGEND

- TREE TO REMAIN (CONTRACTOR TO PROTECT FROM DAMAGE & TRIM AS NECESSARY)
- TREE TO BE REMOVED
- BROADLEAF TREE OR SHRUB
- CONIFEROUS TREE OR SHRUB
- GROUND COVER
- PLANT NUMBER

BC Brown and Caldwell Consultants

PROJECT MANAGER: _____ DATE: _____
 DESIGNED: MBC
 CHECKED: _____
 DATE: _____

LINE IS 2 INCHES AT FULL SIZE (IF NOT 2" SCALE ACCORDINGLY)

FILE: 5478
 DRAWN: H.K./TOH
 DESIGNED: MBC
 CHECKED: _____
 DATE: _____

ZONE	REV.	DESCRIPTION	BY	DATE	APP.
	1	AS BLT & CORRECTIONS	KT		

MCWD CONNECTION FACILITIES

MONTEREY REGIONAL WATER POLLUTION CONTROL AGENCY
MONTEREY COUNTY, CALIFORNIA

GENERAL

LANDSCAPE PLANTING PLAN

SCALE: 1" = 10'

DRAWING NUMBER: **G102**

SHEET NUMBER: _____